



**Flanged gate valves, designed according to EN1074 part 1 & 2
Face to face according to EN 558 table 2 basic series 3
Standard flange drilling to EN1092-2 (ISO 7005-2)**

Use:

For water to max. 70°C

Test:

Hydraulic test to BS EN 1074

Seat: 1.1 x PN

Body: 1.5 x PN

Optional extras:

Hand wheel, extension spindle.

Marking:

DN, PN, casting no. and body material.

Materials

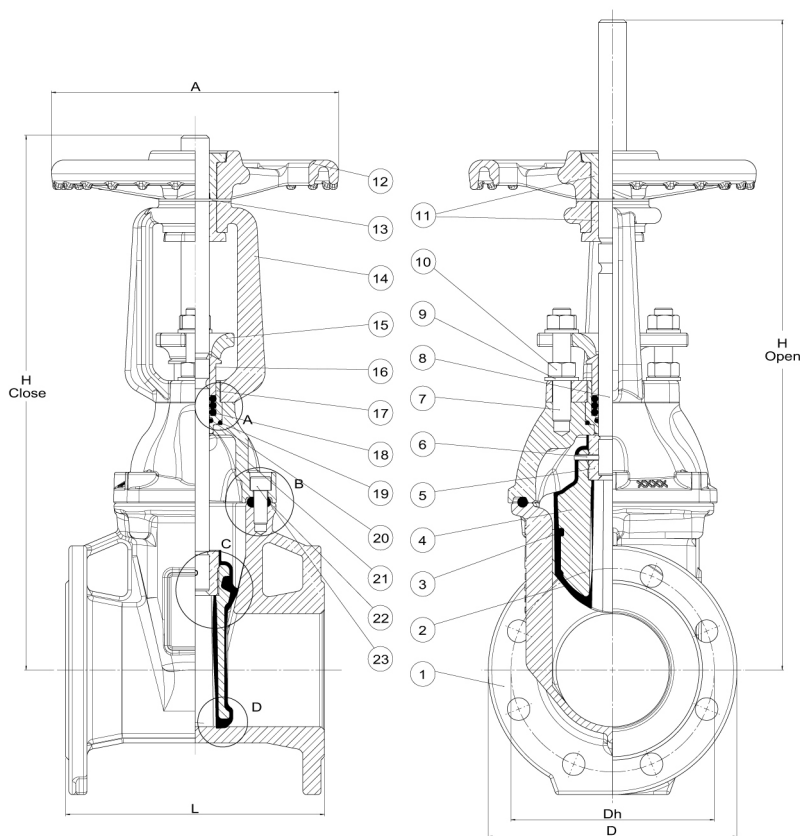
Body	Ductile Iron GGG50 BS EN 1563 EN-GJS-500/7
Bonnet	Ductile Iron GGG50 BS EN 1563 EN-GJS-500/7
Disc	Ductile Iron GGG50 BS EN 1563 EN-GJS-500/7 Disc fully encapsulated with EPDM
Disc Nut	DZR Brass BS EN 12164 CW602N
Stem	Stainless Steel AISI 316 BS EN 10088-1 1.4401
Bushing	Nylon
O-rings	NBR
Gasket	EPDM
Coating	Epoxy coating RAL7011



Flanged gate valves, designed according to EN1074 part 1 & 2
Face to face according to EN 558 table 2 basic series 3
Standard flange drilling to EN1092-2 (ISO 7005-2)

Component list

- | | | | | |
|----------------|--------------|--------------------------|---------------|-------------------|
| 1. Body | 6. Pin | 11. Stem Nut | 16. Gland | 21. Bonnet |
| 2. Disc Rubber | 7. Stud Bolt | 12. Handwheel | 17. Bushing | 22. Bonnet Gasket |
| 3. Guide | 8. Stem | 13. Anti friction washer | 18. Stem seal | 23. Bolt |
| 4. Disc | 9. Gasket | 14. Yoke | 19. O-ring | |
| 5. Disc nut | 10. Nut | 15. Gland Follower | 20. O-ring | |



Ref.no.	DN	L	Ho	Hc	A	D	Dh	Weight
		mm	mm	mm	mm	mm	mm	Kgs
21-050-46-01412	50	178	419	368	180	165	125	19
21-065-46-01412	65	190	453	385	180	185	145	23
21-080-46-01412	80	203	480	440	180	200	160	25
21-100-46-01412	100	229	575	475	254	220	180	39
21-125-46-01412	125	254	655	530	254	250	210	45
21-150-46-01412	150	267	783	633	305	285	240	63
21-200-46-01412	200	292	990	791	356	340	295	97
21-250-46-01412	250	330	1188	937	432	400	355	157
21-300-46-01412	300	356	1367	1067	432	455	410	238
21-350-46-01412	350	381	1789	1403	640	533	470	320
21-400-46-01412	400	406	1789	1403	640	580	525	360

