



**Metal seated gate valves, designed according to EN 1074 part 1 & 2  
Face to face according to EN 558 table 2 basic series 3  
Standard flange drilling to EN 1092-2 (ISO 7005-2)**

**Use:**

For water, to max. 70°C

**Test:**

Hydraulic test to ISO 5208

Seat: 1.1 x PN

Body: 1.5 x PN

**Optional extras:**

Hand wheel, worm gear and electric actuator.

**Marking:**

DN, PN, casting no. and body material.

**Materials**

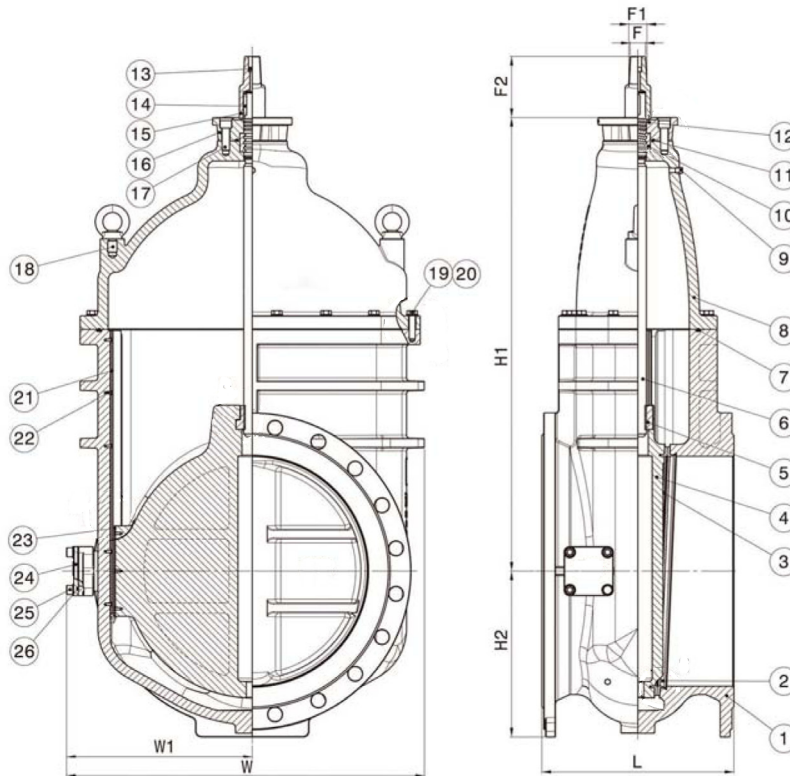
Body	Ductile iron
Bonnet	Ductile iron
Wedge	Ductile iron
Stem cap	Ductile iron
Top flange	Ductile iron
Seats	Aluminium bronze
Wedge nut	Aluminium bronze
Thrust collars	Aluminium bronze
Stem	Stainless steel
Key	Carbon steel
Plug	Brass
O-ring	EPDM
Fasteners	Zinc plated mild steel



Metal seated gate valves, designed according to EN 1074 part 1 & 2  
Face to face according to EN 558 table 2 basic series 3  
Standard flange drilling to EN 1092-2 (ISO 7005-2)

**Component list**

- |              |                   |                      |                           |
|--------------|-------------------|----------------------|---------------------------|
| 1. Body      | 8. Bonnet         | 15. Cap              | 22. Countersunk screw     |
| 2. Seat ring | 9. Plug           | 16. Gland flange     | 23. Shoe                  |
| 3. Face ring | 10. Thrust collar | 17. Socket head bolt | 24. Blanking plate        |
| 4. Wedge     | 11. O-ring        | 18. Eye Bolt         | 25. Socket head cap screw |
| 5. Stem nut  | 12. O-ring        | 19. Hex head screw   | 26. O-ring                |
| 6. Stem      | 13. Hex screw     | 20. Washer           |                           |
| 7. O-ring    | 14. Key           | 21. Channel          |                           |



Ref.no.	DN	L		H1		H2		W		W1	F	F1	F2	Weight	
		mm	mm	mm	mm	mm	mm	mm	mm					Kgs	Kgs
				PN10	PN16	PN10	PN16	PN10	PN16					PN10	PN16
54-0350-31-X101100	350	381	782	789	265	280	611	627	331	40	48	162	291	298	
54-0400-31-X101100	400	406	857	880	291	310	663	687	361	40	48	162	359	366	
54-0450-31-X101100	450	432	944	961	321	340	726	748	391	40	48	162	437	444	
54-0500-31-X101100	500	457	1017	1056	365	375	796	818	431	40	48	162	538	545	
54-0600-31-X101100	600	508	1178	1202	440	440	911	946	491	40	48	162	708	715	

X=0 PN10  
X=1 PN16

