



**Centric butterfly valve with loose liner to EN 593, designed according to EN 593  
Face to face according to EN 558 table 2 basic series 20  
Flanges and drilling to EN1092-2 (ISO 7005-2)**

**Use:**

For water to max. 70°C

**Tests:**

Hydraulic test according to EN1074-1  
and 2/EN12266

Seat: 1.1 x PN

Body: 1.5 x PN

Operating torque test

**Marking:**

DN, PN, casting no. and body material.

DN050-DN200 with lever,

DN250-DN400 with wormgear.

**Materials**

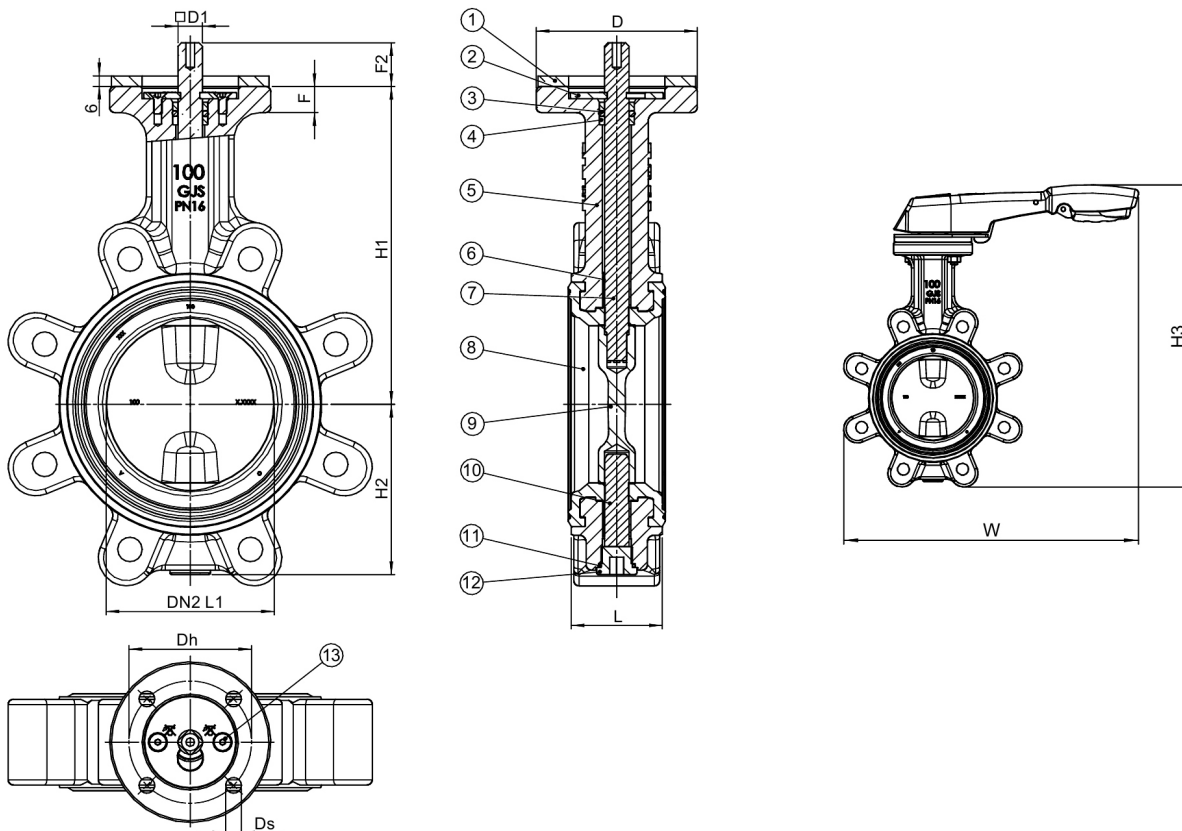
Body	Ductile iron
Disc	Ductile iron with Epoxy coated Stainless Steel AISI 316
Shaft	Stainless Steel AISI 420
Bearing	Steel/PTFE
Lining	EPDM
Plug	POM
Fastener	Stainless Steel A2
External coating	Epoxy coating RAL7011



Centric butterfly valve with loose liner to EN 593, designed according to EN 593  
 Face to face according to EN 558 table 2 basic series 20  
 Flanges and drilling to EN1092-2 (ISO 7005-2)

**Component list**

- |                      |            |                 |                |                       |
|----------------------|------------|-----------------|----------------|-----------------------|
| 1. Dew point blocker | 4. Ring    | 7. Drive shaft  | 10. Stub shaft | 13. Countersunk screw |
| 2. Plate             | 5. Body    | 8. Loose lining | 11. O-ring     |                       |
| 3. O-ring            | 6. Bearing | 9. Disc         | 12. Plug       |                       |



Ref.no.	DN	DN2L1 mm	L mm	H1 mm	H2 mm	F mm	F2 mm	D mm	D1 mm	Dh mm	Ds mm	H3 mm	W mm	Kvs m³/h	Weight Kgs
76-0050-71-83ZZ02690505	50	48	43	125	65	12	18	67	9	50	7	252	254	91	3.3
76-0065-71-83ZZ02690505	65	62	46	150	78	12	18	67	9	50	7	290	261	206	4.1
76-0080-71-83ZZ02690505	80	76	46	157	85	12	18	67	9	50	7	309	284	436	5.4
76-0100-71-83ZZ02690505	100	95	52	182	98	15	25	92	11	70	9	353	344	660	8.0
76-0125-71-83ZZ02690505	125	120	56	201	114	15	25	92	14	70	9	387	359	1300	11
76-0150-71-83ZZ02690505	150	145	56	214	127	15	25	92	14	70	9	411	519	2100	12
76-0200-71-83ZZ02690505	200	195	60	245	158	18	31	92	17	70	9	479	551	4100	19

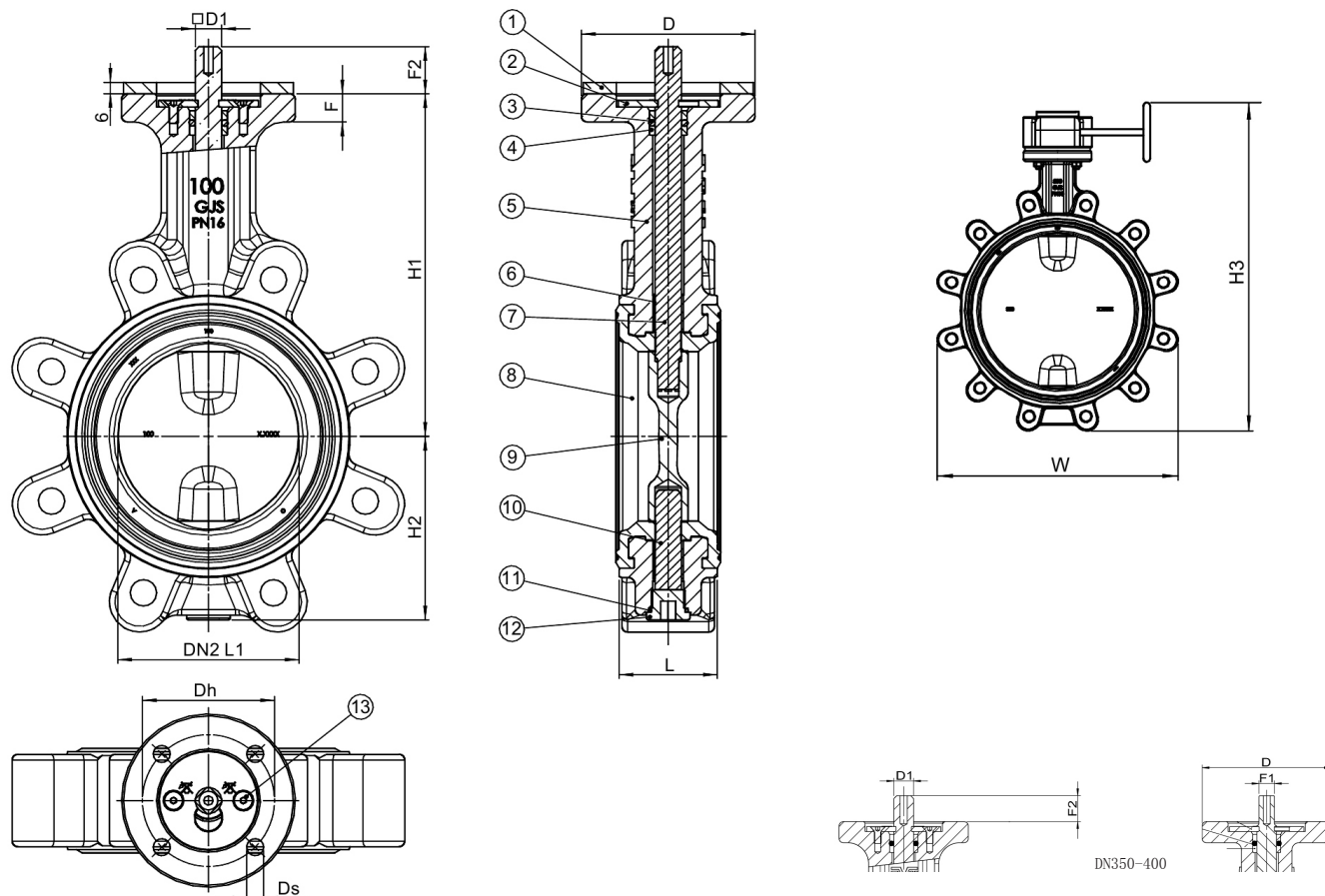
ZZ-75 Disc:Ductile iron with Epoxy coated  
 ZZ-74 Disc:Stainless Steel AISI 316



Centric butterfly valve with loose liner to EN 593, designed according to EN 593  
 Face to face according to EN 558 table 2 basic series 20  
 Flanges and drilling to EN1092-2 (ISO 7005-2)

**Component list**

- |                      |            |                 |                |                       |
|----------------------|------------|-----------------|----------------|-----------------------|
| 1. Dew point blocker | 4. Ring    | 7. Drive shaft  | 10. Stub shaft | 13. Countersunk screw |
| 2. Plate             | 5. Body    | 8. Loose lining | 11. O-ring     |                       |
| 3. O-ring            | 6. Bearing | 9. Disc         | 12. Plug       |                       |



Ref.no.	DN	DN2L1	L	H1	H2	F	F2	D	D1	F1	Dh	Ds	H3	W	Kvs	Weight
76-0050-71-83ZZ02690503	50	48	43	125	65	12	18	67	9	-	50	7	316	246	91	4.3
76-0065-71-83ZZ02690503	65	62	46	150	78	12	18	67	9	-	50	7	354	253	206	5.1
76-0080-71-83ZZ02690503	80	76	46	157	85	12	18	67	9	-	50	7	373	262	436	6.4
76-0100-71-83ZZ02690503	100	95	52	182	98	15	25	92	11	-	70	9	411	289	660	9
76-0125-71-83ZZ02690503	125	120	56	201	114	15	25	92	14	-	70	9	445	304	1300	12
76-0150-71-83ZZ02690503	150	145	56	214	127	15	25	92	14	-	70	9	471	317	2100	13
76-0200-71-83ZZ02690503	200	195	60	245	158	18	31	92	17	-	70	9	533	348	4100	20
76-0250-71-83ZZ02690503	250	245	68	283	194	20	38	130	22	-	102	11	607	399	6090	34
76-0300-71-83ZZ02690503	300	295	78	308	219	20	38	130	22	-	102	11	665	456	9570	47
76-0350-71-83WW02690513	350	346	78	354	272	16	52	150	35	38	125	15	845	546	12957	63
76-0400-71-83WW02690513	400	396	102	383	301	20	65	175	45	49	140	19	919.5	568	17243	99

ZZ-75 Disc:Ductile iron with Epoxy coated  
 ZZ-74 Disc:Stainless Steel AISI 316  
 WW-79 Disc:Ductile iron with Epoxy coated  
 WW-77 Disc:Stainless Steel AISI 316

