



**Centric butterfly valve with loose liner to EN 593, designed according to EN 593
Face to face according to EN 558 table 2 basic series 20
Flanges and drilling to EN1092-2 (ISO 7005-2)**

Use:

For water to max. 70°C

Tests:

Hydraulic test according to EN1074-1 and 2/EN12266

Seat: 1.1 x PN

Body: 1.5 x PN

Operating torque test

Marking:

DN, PN, casting no. and body material.

DN050-DN200 with lever,

DN250-DN400 with wormgear.

Materials

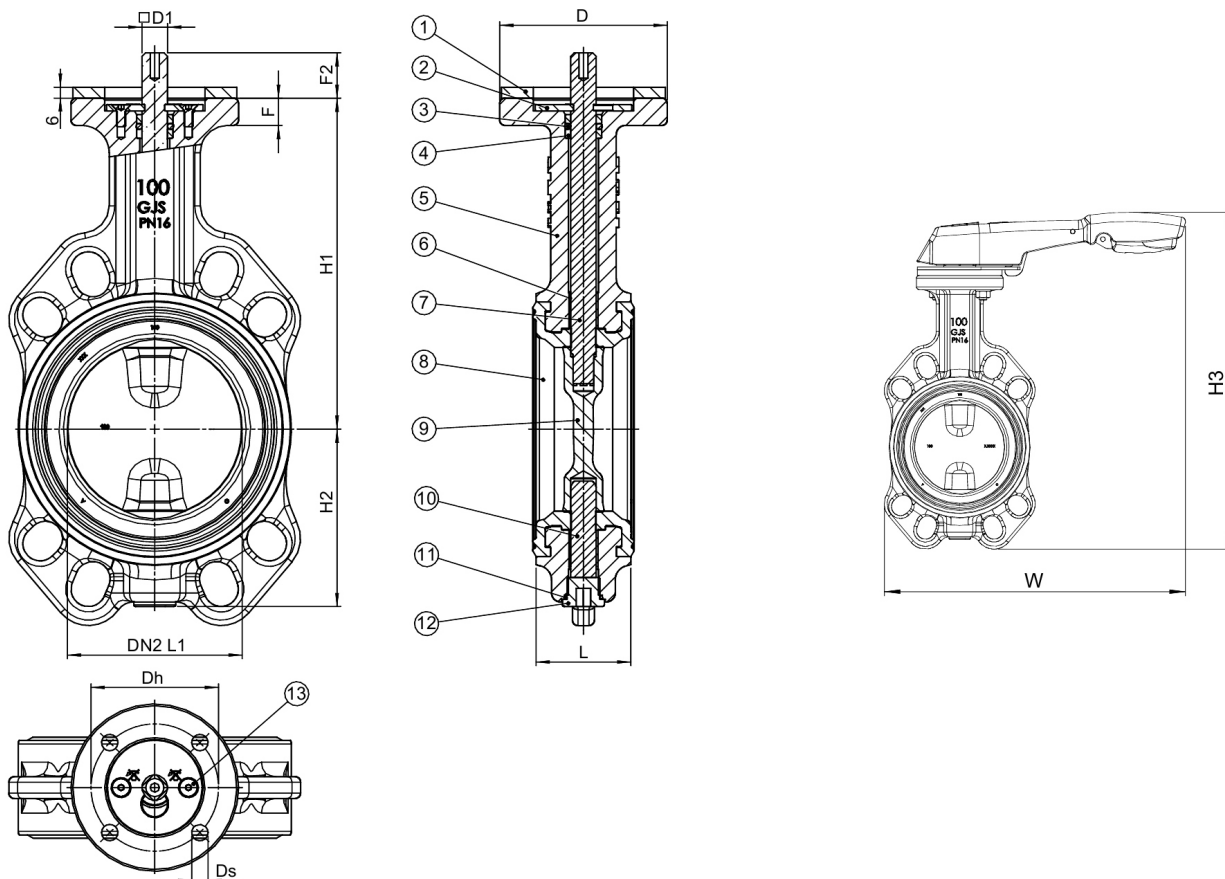
Body	Ductile iron
Disc	Ductile iron with Epoxy coated
	Stainless Steel AISI 316
Shaft	Stainless Steel AISI 420
Bearing	Steel/PTFE
Lining	EPDM
Plug	POM
Fastener	Stainless Steel A2
External coating	Epoxy coating RAL7011



Centric butterfly valve with loose liner to EN 593, designed according to EN 593
 Face to face according to EN 558 table 2 basic series 20
 Flanges and drilling to EN1092-2 (ISO 7005-2)

Component list

- | | | | | |
|----------------------|------------|-----------------|----------------|-----------------------|
| 1. Dew point blocker | 4. Ring | 7. Drive shaft | 10. Stub shaft | 13. Countersunk screw |
| 2. Plate | 5. Body | 8. Loose lining | 11. O-ring | |
| 3. O-ring | 6. Bearing | 9. Disc | 12. Plug | |



Ref.no.	DN	mm	mm	mm	mm	mm	mm	mm	mm	mm	mm	mm	mm	mm	Kvs	Weight
76-0050-72-81ZZ02690505	50	48	43	125	65	12	18	67	9	50	7	251	257	91	2.7	
76-0065-72-81ZZ02690505	65	62	46	150	78	12	18	67	9	50	7	297	263	206	3.4	
76-0080-72-81ZZ02690505	80	76	46	157	85	12	18	67	9	50	7	312	266	436	4.0	
76-0100-72-81ZZ02690505	100	95	52	182	98	15	25	92	11	70	9	357	320	660	6.0	
76-0125-72-81ZZ02690505	125	120	56	201	114	15	25	92	14	70	9	390	330	1300	7.7	
76-0150-72-81ZZ02690505	150	145	56	214	127	15	25	92	14	70	9	414	492	2100	9.0	
76-0200-72-81ZZ02690505	200	195	60	245	158	18	31	92	17	70	9	482	219	4100	14	

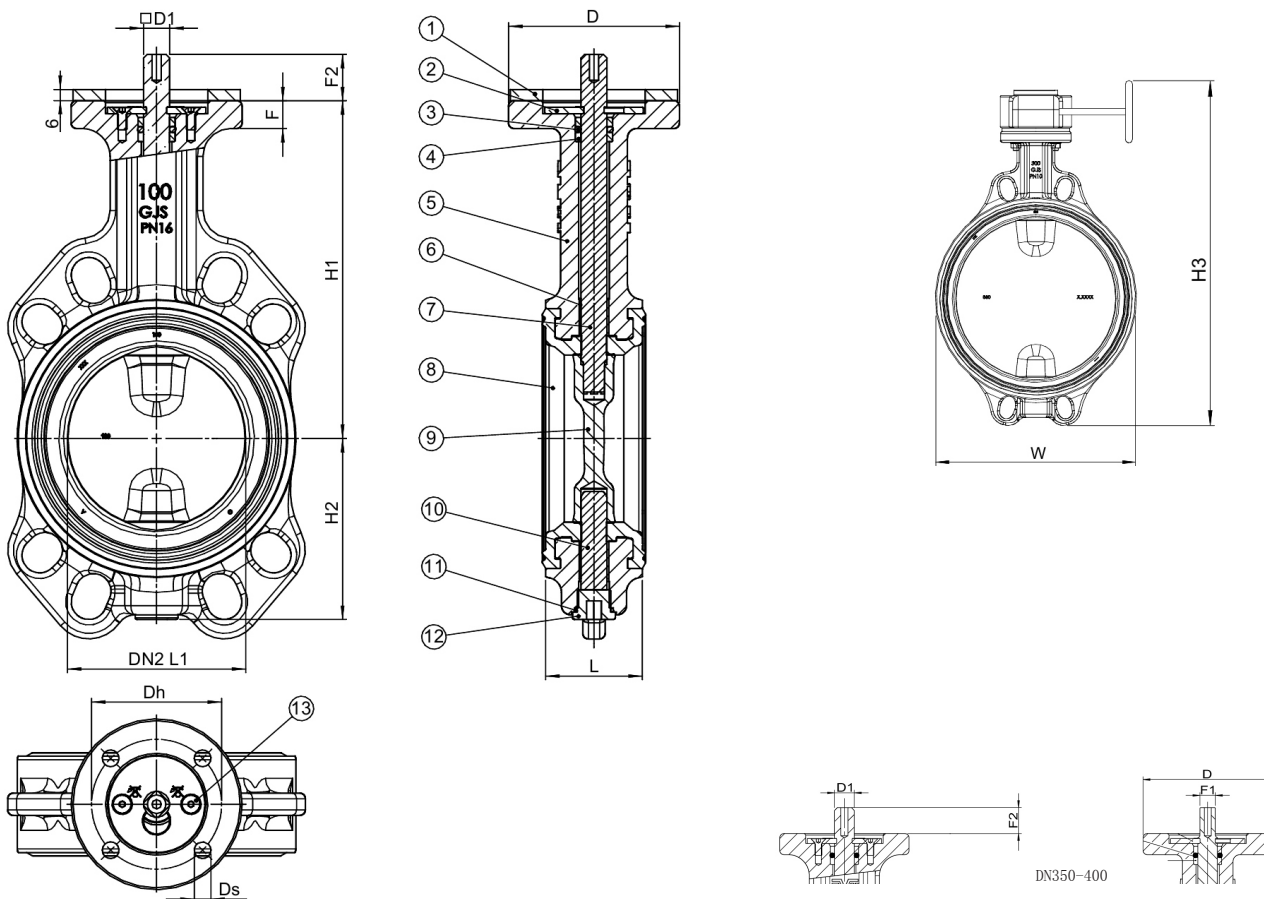
ZZ-75 Disc:Ductile iron with Epoxy coated
 ZZ-74 Disc:Stainless Steel AISI 316



Centric butterfly valve with loose liner to EN 593, designed according to EN 593
 Face to face according to EN 558 table 2 basic series 20
 Flanges and drilling to EN1092-2 (ISO 7005-2)

Component list

- | | | | | |
|----------------------|------------|-----------------|----------------|-----------------------|
| 1. Dew point blocker | 4. Ring | 7. Drive shaft | 10. Stub shaft | 13. Countersunk screw |
| 2. Plate | 5. Body | 8. Loose lining | 11. O-ring | |
| 3. O-ring | 6. Bearing | 9. Disc | 12. Plug | |



Ref.no.	DN	DN2L1	L	H1	H2	F	F2	D	D1	F1	Dh	Ds	H3	W	Kvs	Weight
76-0050-72-81ZZ02690503	50	48	43	125	65	12	18	67	9	-	50	7	316	252	91	3.7
76-0065-72-81ZZ02690503	65	62	46	150	78	12	18	67	9	-	50	7	363	258	206	4.4
76-0080-72-81ZZ02690503	80	76	46	157	85	12	18	67	9	-	50	7	378	261	436	5
76-0100-72-81ZZ02690503	100	95	52	182	98	15	25	92	11	-	70	9	419	271	660	7
76-0125-72-81ZZ02690503	125	120	56	201	114	15	25	92	14	-	70	9	451	277	1300	8.7
76-0150-72-81ZZ02690503	150	145	56	214	127	15	25	92	14	-	70	9	467	289	2100	10
76-0200-72-81ZZ02690503	200	195	60	245	158	18	31	92	17	-	70	9	538	316	4100	15
76-0250-72-81ZZ02690503	250	245	68	283	194	20	38	130	22	-	102	11	574	361	6090	25
76-0300-72-81ZZ02690503	300	295	78	308	219	20	38	130	22	-	102	11	633	390	9570	35
76-0350-72-81WW02690513	350	346	78	354	272	16	52	150	35	38	125	15	865	507	12957	53
76-0400-72-81WW02690513	400	396	102	383	301	20	65	175	45	49	140	19	939	525	17243	82

ZZ-75 Disc:Ductile iron with Epoxy coated
 ZZ-74 Disc:Stainless Steel AISI 316
 WW-79 Disc:Ductile iron with Epoxy coated
 WW-77 Disc:Stainless Steel AISI 316

