



Stainless steel check valve PN16/25

907/03

To BS 5352
Thread to BSPT (standard), BSPP(optional)

Use:
For water to max. 90°C

Tests:
Hydraulic test to BS EN 12266
Seat: 1.1 x PN
Body: 1.5 x PN

Marking:
To BS 5352
Body: ICV logo, DN, PN, casting no.
body material and flow direction.

Materials	
Body	Stainless steel AISI 304/316
Disc	Stainless steel AISI 304/316
Pin	Stainless steel AISI 304
Gasket	PTFE
Bonnet	Stainless steel AISI 304/316



The designs, materials and specifications shown are subject to change without notice due to our continuing programme of product development.

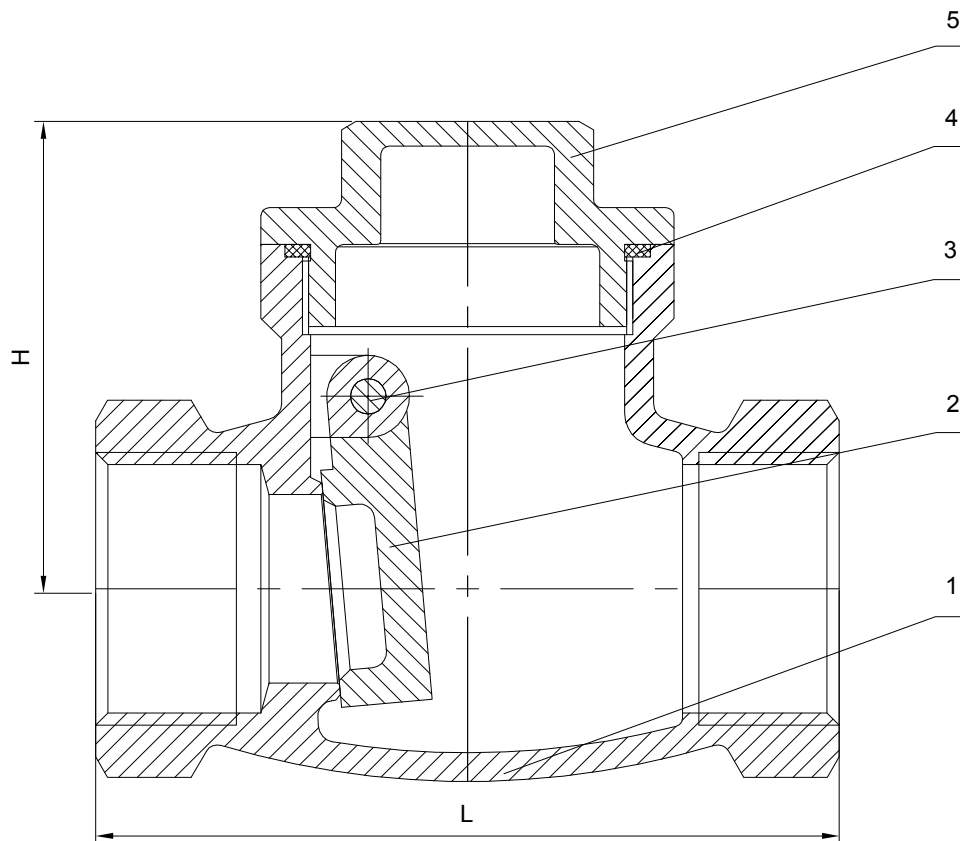
A Member of the AVK Group

DS907031901

To BS 5352
Thread to BSPT (standard), BSPP(optional)

Component list

- | | | |
|---------|-----------|-----------|
| 1. Body | 3. Pin | 5. Bonnet |
| 2. Disc | 4. Gasket | |



Ref.no.	DN	L mm	H mm	Weight Kgs
907030015X0YY	15	66	42	0.29
907030020X0YY	20	80	50	0.45
907030025X0YY	25	90	59	0.66
907030032X0YY	32	102	60	1.01
907030040X0YY	40	118	65	1.35
907030050X0YY	50	137	74	2.1

X=1, PN16
X=3, PN25
YY=Different material

