



**Manual balancing valve in bronze with test port across the valve-either side of the precision valve cone and orifice. Flow is controlled by hand wheel and measurable by indicator on the hand wheel. For use in heating/aircon piping systems to balance flows in each zone and prevent overflows in terminal units.  
DN15-50, PN25.  
Thread to BS 21**

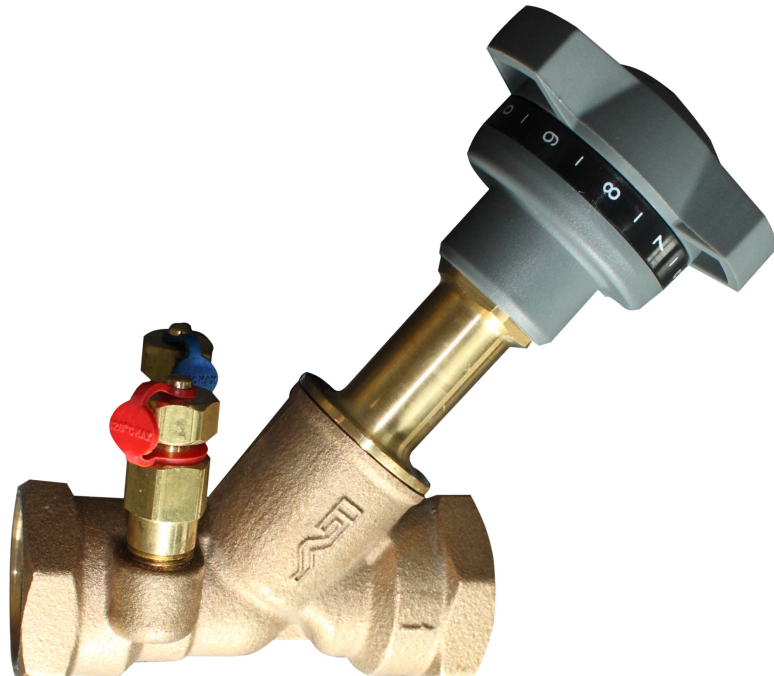
**Use:**  
For water to max. 90°C

**Tests:**  
Hydraulic test to BS EN 12266  
Seat: 1.1 x PN  
Body: 1.5 x PN

**Marking:**  
Body: ICV logo, DN, PN and flow direction.

**Materials**

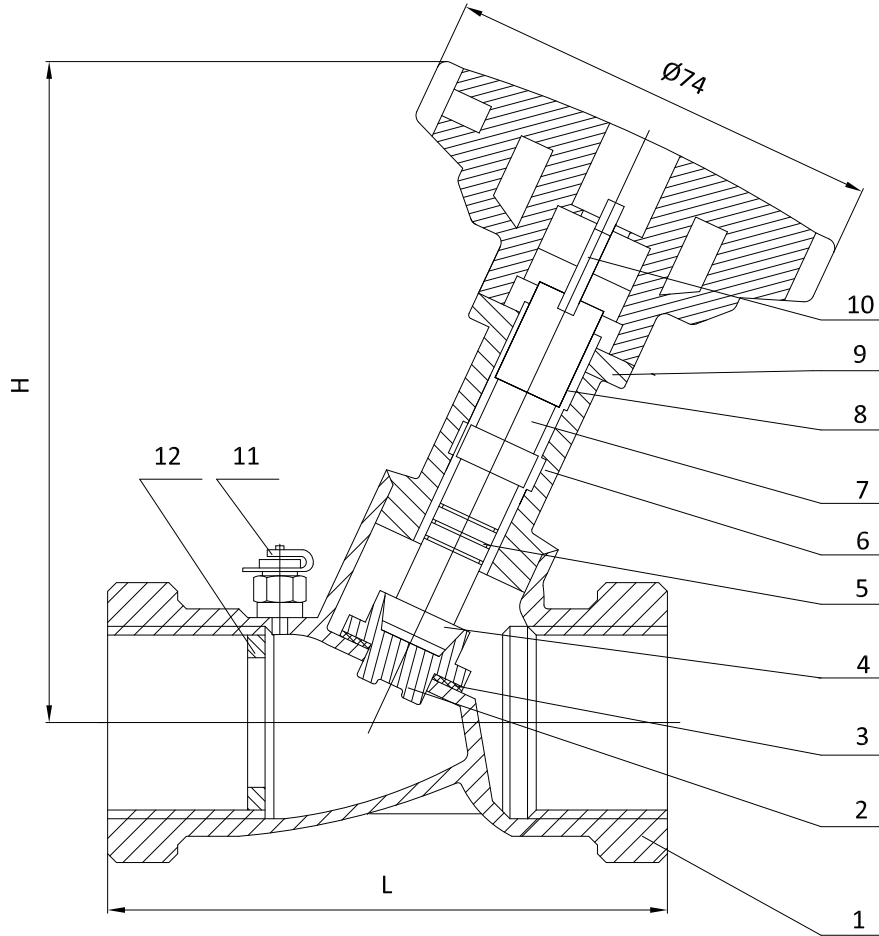
Stop screw	Carbon steel
Hand wheel screw	Brass EN CW617N
Drive sleeve	Brass EN CW617N
Stem	DZR Brass CW602N
Bonnet	DZR Brass CW602N DN15-25
	Bronze CC491K DN32-50
O-ring	EPDM
Disc retaining ring	DZR Brass CW602N
Seat	PTFE DN25-50
Disc	DZR Brass CW602N
Body	Bronze CC491K
P/T port	DZR Brass CW602N
Flow orifice	Brass EN CW617N



Manual balancing valve in bronze with test port across the valve-either side of the precision valve cone and orifice. Flow is controlled by hand wheel and measurable by indicator on the hand wheel. For use in heating/aircon piping systems to balance flows in each zone and prevent overflows in terminal units.  
**DN15-50, PN25.**  
**Thread to BS 21**

**Component list**

- |                        |                 |                     |
|------------------------|-----------------|---------------------|
| 1. Body                | 5. O-ring       | 9. Hand wheel screw |
| 2. Disc                | 6. Bonnet       | 10. Stop screw      |
| 3. Seat                | 7. Stem         | 11. P/T port        |
| 4. Disc retaining ring | 8. Drive sleeve | 12. Flow orifice    |



Ref.no.	DN	L mm	H mm	Kvs* m <sup>3</sup> /h	Weight Kgs
9080200153	15	87	105	2.2	0.58
9080200203	20	96	106	4.6	0.65
9080200253	25	100	127	8.5	0.89
9080200323	32	114	128	16.7	1.11
9080200403	40	125	143	26.1	1.46
9080200503	50	146	144	43.2	1.98

\*Kvs=m<sup>3</sup>/h at a pressure drop 1 bar and fully open valve

