



A measuring device in stainless steel with test ports, which in combination with an ICV butterfly valve, presents an efficient and accurate balancing valve arrangement. Wafer pattern for fixing between BS EN 1092-2. DN50-1000 (PN16/25)

Use:

For water to max. 90°C

Tests:

Hydraulic test to BS EN 12266
Body: 1.5 x PN

Marking:

Body: ICV logo, body material, DN, PN and flow direction.

Materials

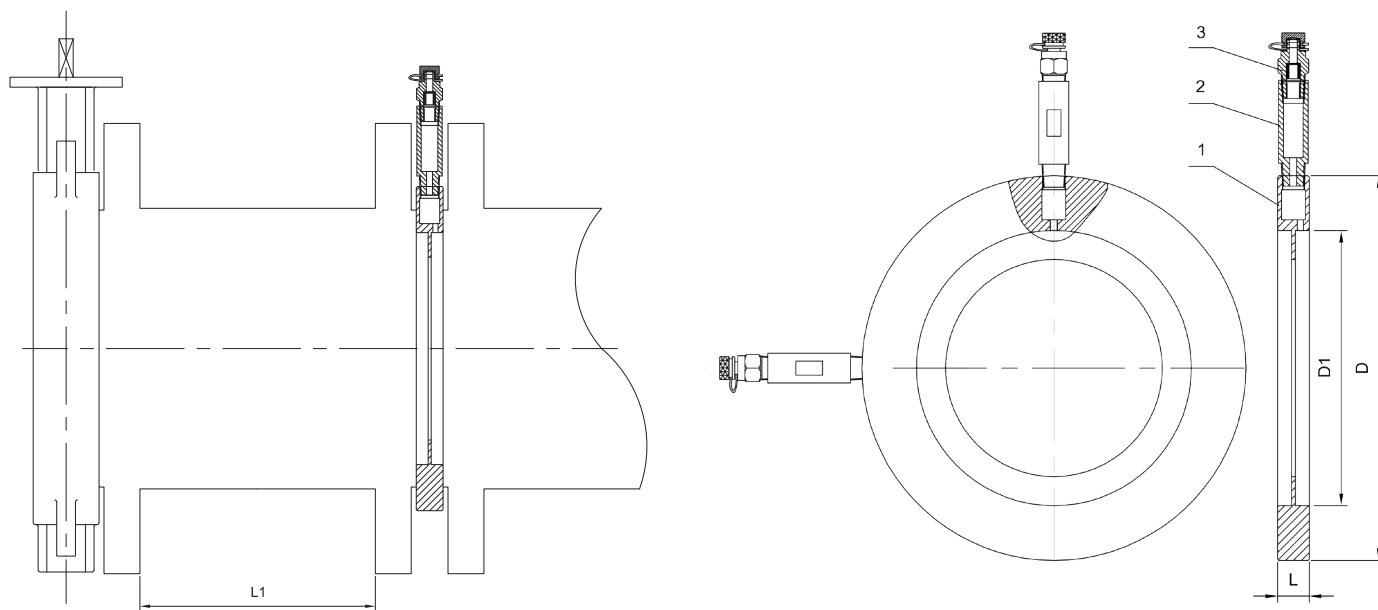
Body	Stainless steel AISI 304/316
Extension sleeve	Stainless steel AISI 304/316
Test points	DZR Brass with EPDM inserts



A measuring device in stainless steel with test ports, which in combination with an ICV butterfly valve, presents an efficient and accurate balancing valve arrangement.
 Wafer pattern for fixing between BS EN 1092-2.
 DN50-1000 (PN16/25)

Component list

- 1. Body
- 2. Extension sleeve
- 3. Test points



Installation:
 To be use together with butterfly valve with straight pipe (min.lenght L1) in between.

Ref.no.	DN	L mm	D mm		D1 mm	L1 mm	Kvs m ³ /h	Weight Kgs	
			PN16	PN25				PN16	PN25
908070050X0YY	50	18	109	109	51	300	46.1	1.26	1.34
908070065X0YY	65	18	127	127	69	300	90	1.66	1.73
908070080X0YY	80	18	142	142	80	300	120	2.07	2.09
908070100X0YY	100	18	162	168	98	300	220	2.31	2.63
908070125X0YY	125	18	192	194	128	300	342	3.11	3.27
908070150X0YY	150	18	218	224	158	300	468	3.52	3.94
908070200X0YY	200	18	273	284	206	300	792	4.99	6
908070250X0YY	250	18	329	340	260	300	1224	6.57	7.61
908070300X0YY	300	18	384	400	308	350	1800	8.2	10.32
908070350X0YY	350	20	444	474	338	350	2250	12.8	14.96
908070400X0YY	400	23	496	546	389	350	3000	14.72	18.22
908070450X0YY	450	28	556	571	438	350	3750	28.18	30.84
908070500X0YY	500	28	618	618	491	350	4500	34.95	36.95
908070600X0YY	600	29	735	735	592	350	6500	45.21	45.21
908070700X0YY	700	31	805	805	693	390	9000	60.82	60.82
908070800X0YY	800	32	911	911	794	450	12000	76.43	76.43
908070900X0YY	900	33	1011	1011	900	500	15500	95.63	95.63
908071000X0YY	1000	35	1110	1110	990	550	15500	110	110

X=1, PN16 X=3, PN25
 YY=Different materials

