



Thread to BSPT (standard), BSPP(optional)

Use:

For water max. 90°C

Tests:

Hydraulic test to BS EN 12266
Body: 1.5 x PN

Marking:

Body: ICV logo, DN, PN and flow direction.

Materials

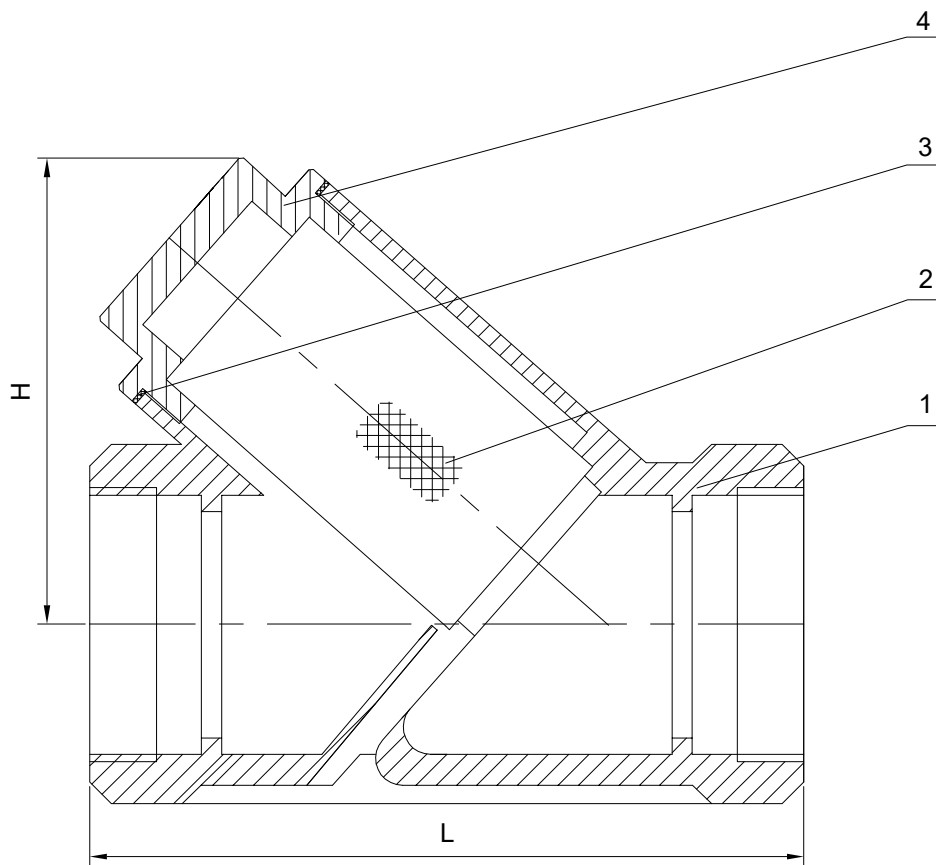
Body	Stainless steel AISI 304/316
Filter	Stainless steel AISI 304/316
Gasket	PTFE
Bonnet	Stainless steel AISI 304/316



Thread to BSPT (standard), BSPP(optional)

Component list

- 1. Body
- 2. Filter
- 3. Gasket
- 4. Bonnet



Ref.no.	DN	L mm	H mm	Mesh size Per cm ²	Weight Kgs
91006001510YY	15	60	41	80	0.25
91006002010YY	20	73	51	80	0.36
91006002510YY	25	84	60	80	0.7
91006003210YY	32	99	70	80	0.91
91006004010YY	40	108	80	80	1.14
91006005010YY	50	125	95	80	1.9

YY=Different material

