



## Bronze Y strainer PN20

910/07

**Thread to BS 21**

**Use:**

For water to max. 90°C

**Tests:**

Hydraulic test to BS EN 12266

Body: 1.5 x PN

**Marking:**

Body: ICV logo, DN, PN and flow direction.

**Materials**

Body

Bronze CC491K

Filter

Stainless steel AISI 304

Gasket

PTFE

Bonnet

Bronze CC491K



Expect... **AVR**

The designs, materials and specifications shown are subject to change without notice due to our continuing programme of product development.

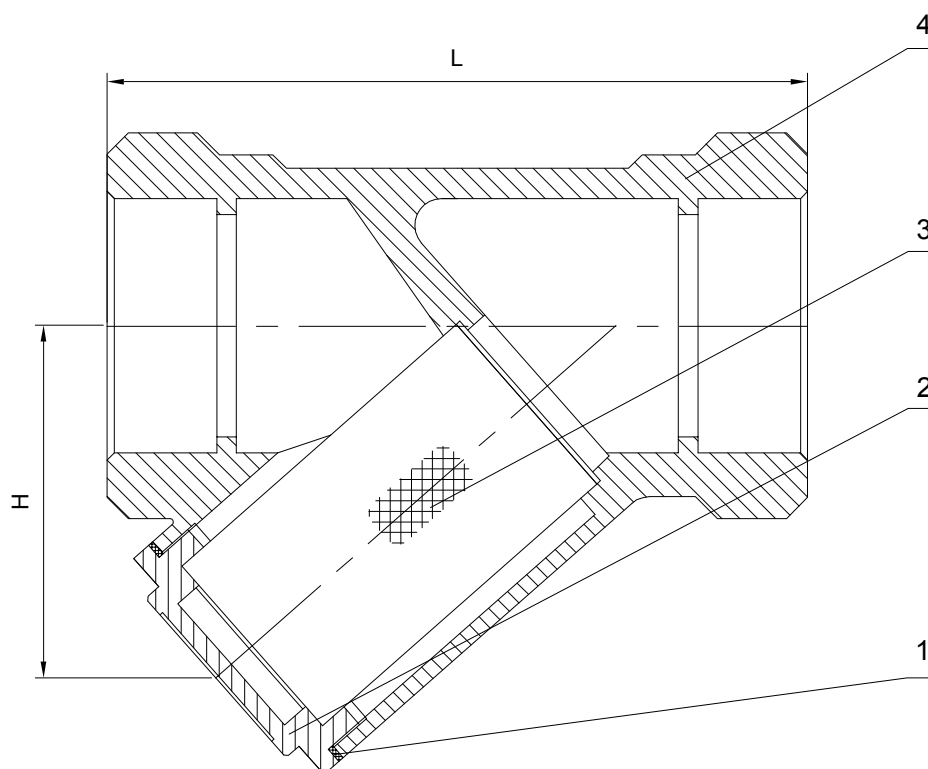
A Member of the AVK Group

DS910071706

**Thread to BS 21**

**Component list**

- 1. Gasket
- 2. Cap
- 3. Filter
- 4. Body



Ref.no.	DN	L mm	H mm	Mesh size Per cm <sup>2</sup>	Kvs m <sup>3</sup> /h	Weight Kgs
9100700152	15	58	33	60	4.5	0.19
9100700202	20	70	42	60	7.5	0.30
9100700252	25	88	48	60	14	0.43
9100700322	32	96	55	28	19	0.74
9100700402	40	107	61	28	30	1.00
9100700502	50	126	79	28	47	1.50

