



Brass auto air vent PN16

912/01

Thread to BS 21

Use:

For water to max. 70°C

Tests:

Hydraulic test to BS EN 12266

Seat: 1.1 x PN

Body: 1.5 x PN

Marking:

Body: ICV logo, DN and PN.

Materials

O-ring	NBR
Spring	Stainless steel AISI 304
Body	Brass CW612N
Float	Polypropylene
Cap	Brass CW612N
Stem	Brass CW612N

*The MAX. Working Pressure 7bar



Expect... **AVK**

The designs, materials and specifications shown are subject to change without notice due to our continuing programme of product development.

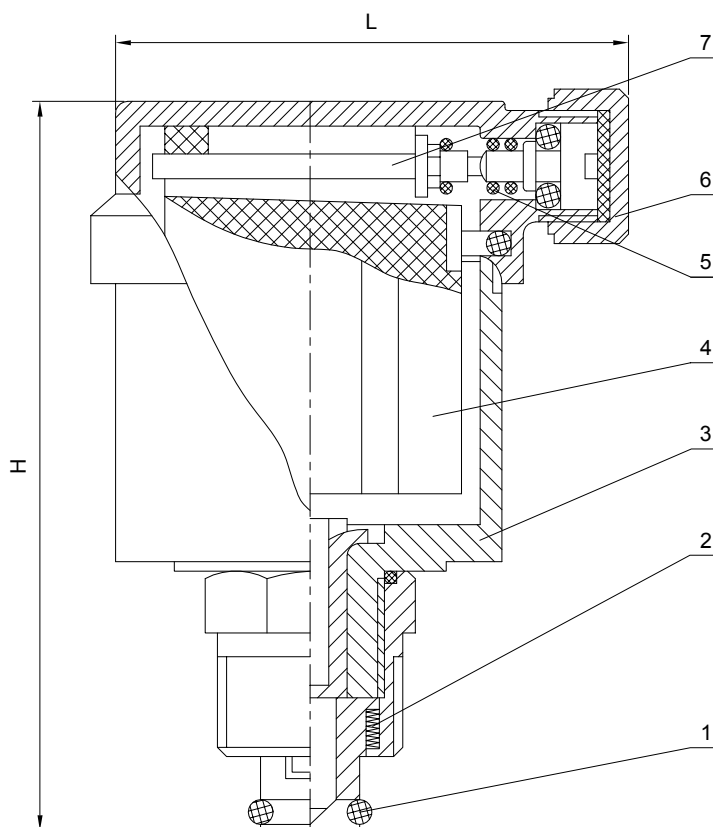
A Member of the AVK Group

DS912011706

Thread to BS 21

Component list

- | | | |
|-----------|-----------|---------|
| 1. O-ring | 4. Float | 7. Stem |
| 2. Spring | 5. Spring | |
| 3. Body | 6. Cap | |



Ref.no.	DN	L mm	H mm	Weight Kgs
9120100151	15	47.4	71.4	0.18
9120100201	20	47.4	71.4	0.21
9120100251	25	47.4	78.9	0.27

