



ICV electric control valve regulates the flow of cold and hot water. It's widely used in central air conditioning, heating, water treatment control system. And there are a variety of power and control signals for selection.
Flanges and drilling to BS EN 1092-2

Use:

For water to max.95°C

Tests:

Hydraulic test to BS EN 12266
Seat: According to each aperture
closure pressure difference.
Body: 1.5 x PN

Marking:

Body: ICV Nameplate. DN, PN, flow
direction.
Actuator: ICV logo, wiring diagram,
voltage value.

Materials

Body	Cast iron GG25
Stem	Stainless steel AISI 302
Disc	Brass
Seat	Brass
Packing	PTFE+Fluororubber

Actuator materials

Housing	ABS
Gear	POM,Nylon
Bracket	Die casting aluminium alloy

Power supply	24VAC,50/60HZ
Control signal	0-10V/2-10V/0-20mA/4-20mA
Feedback signal	0-10V/2-10V
Protection grade	IP54



DN65-150



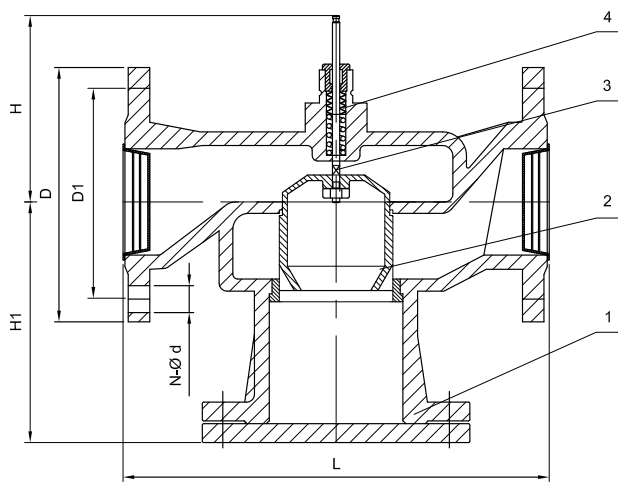
DN200



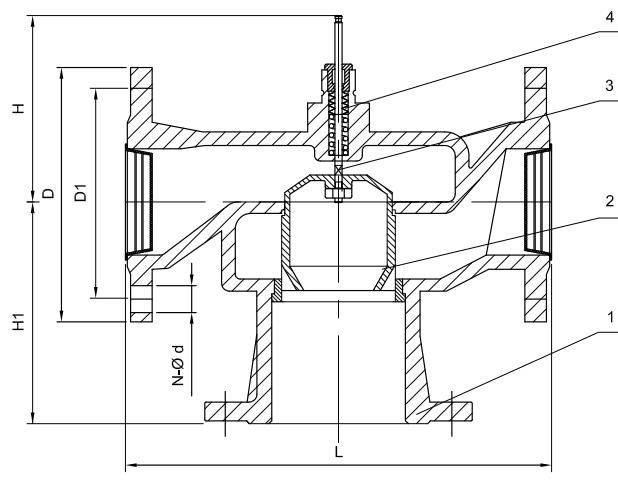
ICV electric control valve regulates the flow of cold and hot water. It's widely used in central air conditioning, heating, water treatment control system. And there are a variety of power and control signals for selection. Flanges and drilling to BS EN 1092-2

Component list

- 1. Body
- 2. Disc
- 3. Stem
- 4. Packing



Two ways



Three ways

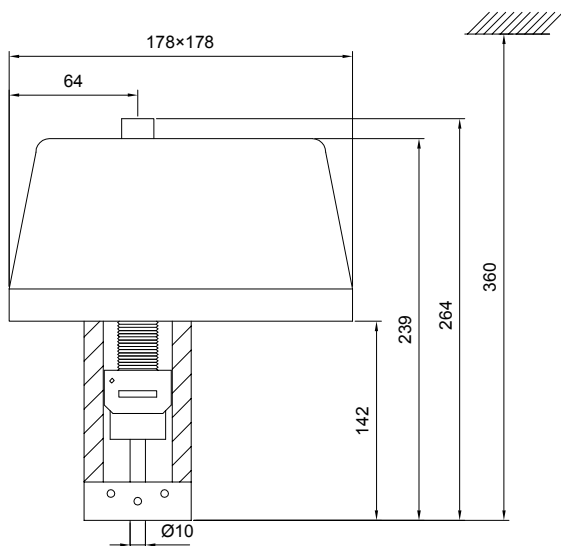


Ref.no.	DN	L mm	H mm	H1 mm		D mm	D1 mm	N-ø d	Kvs m ³ /h	Stroke mm	Closing pressure MPa	Weight Kgs	
				Two ways	Three ways							Two ways	Three ways
9200400651G5	65	290	154	220	201	185	145	4-ø19	75	20	0.5	20.6	21.3
9200400801G5	80	310	158	238	219	200	160	8-ø19	100	20	0.5	24.9	25.6
9200401001G5	100	350	207	260	241	220	180	8-ø19	125	38	0.3	39.8	41.1
9200401251G5	125	400	218	295	276	250	210	8-ø19	200	38	0.3	57	58.5
9200401501G5	150	480	234	356	337	285	240	8-ø23	285	38	0.3	81	83.2
9200402001G5	200	600	259	423	403	340	295	12-ø23	400	38	0.2	143	148

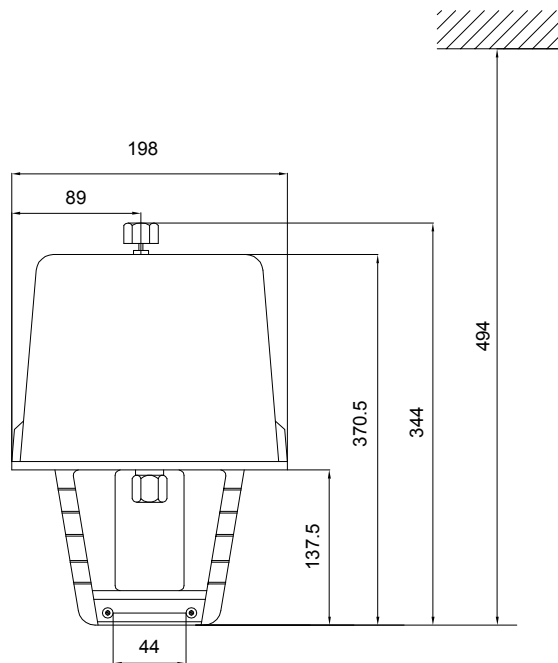
G=2, Two ways. G=3, Three ways.



ICV electric control valve regulates the flow of cold and hot water. It's widely used in central air conditioning, heating, water treatment control system. And there are a variety of power and control signals for selection. Flanges and drilling to BS EN 1092-2



DN65-150



DN200

Actuator model		92004B0247	92004B0248	92004B0249
		DN65-80	DN100-150	DN200
Actuating force		1200N	1800N	5000N
Runing time	50HZ	114S	210S	240S
	60HZ	95S	175S	175S

B=1,Switching type;B=2,adjusting type.

