



To BS EN 593
Face to face dimension to BS EN 558 Series 20
Flanges and drillings to BS EN 1092-2

Use:
For water to max. 90°C

Tests:
Hydraulic test to BS EN 1074-1
Seat: 1.1 x PN
Body: 1.5 x PN
Operating torque test

Optional extras:
Lever, worm gear and electric actuator.

DN50-150 c/w lever
DN200-600 c/w worm gear

Materials

Body	Ductile iron GGG40
Disc*	DI with Epoxy coated
Seat*	EPDM
Stem*	Stainless steel AISI 420/2Cr13
Coating	Epoxy coating RAL7011 > 100µm

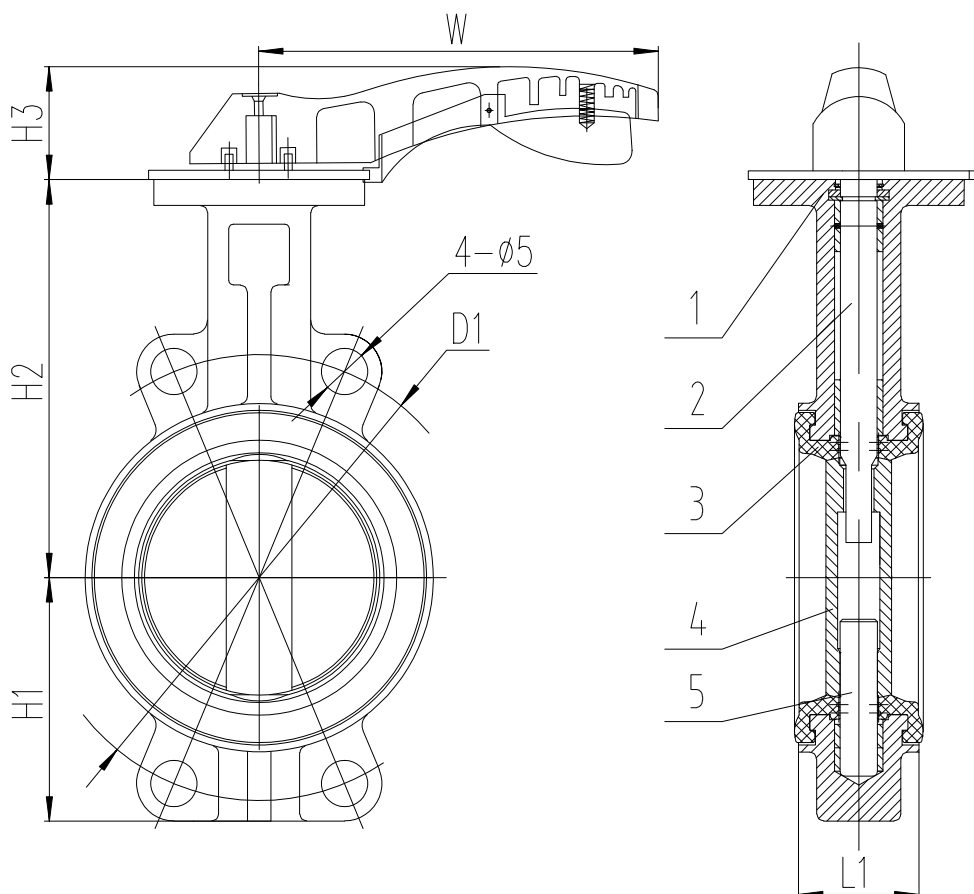
*Other material available on request (Ductile iron with nylon disc; Stainless steel disc, for water to max. 95°C).



To BS EN 593
 Face to face dimension to BS EN 558 Series 20
 Flanges and drillings to BS EN 1092-2

Component list

- | | | |
|---------|---------|---------|
| 1. Body | 3. Seat | 5. Stem |
| 2. Stem | 4. Disc | |



Ref.no.	DN	L1 mm	H1 mm	H2 mm	H3 mm	W mm	D1 mm	4-ø5	Torque N M	Weight Kgs
92502005011XX	50	42.6	70	130	70	175	125	4-ø18	14	2.1
92502006511XX	65	45.6	76	143	70	175	145	4-ø18	18	2.4
92502008011XX	80	45.6	89	155	70	175	160	4-ø18	23	2.6
92502010011XX	100	51.6	104	170	75	200	180	4-ø18	35	4.5
92502012511XX	125	55.6	120	190	80	260	210	4-ø18	67	6.8
92502015011XX	150	55.6	132	210	80	260	240	4-ø23	87	8.3

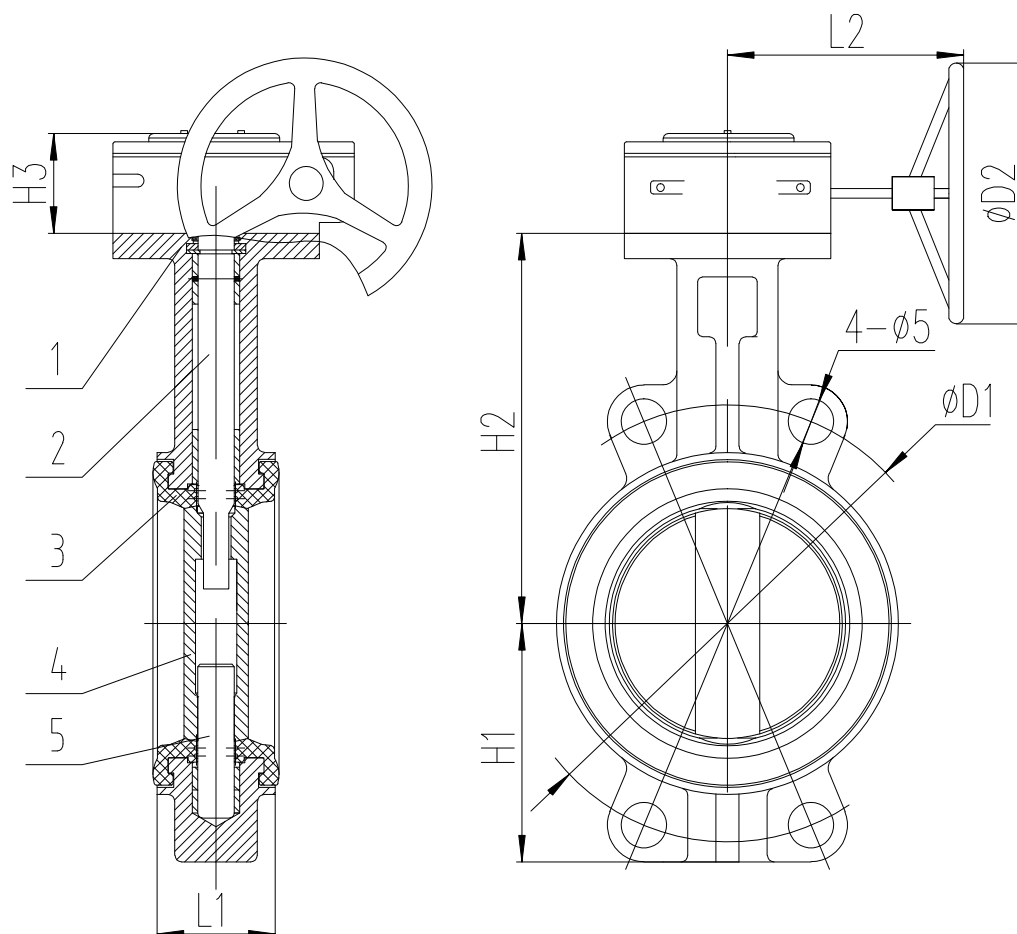
XX= Disc different material



To BS EN 593
 Face to face dimension to BS EN 558 Series 20
 Flanges and drillings to BS EN 1092-2

Component list

- | | | |
|---------|---------|---------|
| 1. Body | 3. Seat | 5. Stem |
| 2. Stem | 4. Disc | |



Ref.no.	DN	L1 mm	H1 mm	H2 mm	H3 mm	L2 mm	D1 mm	D2 mm	4-ø5	Torque N M	Weight Kgs
92502005011XX2	50	42.6	70	130	60	140	125	130	4-ø18	14	3.4
92502006511XX2	65	45.6	76	143	60	140	145	130	4-ø18	18	3.6
92502008011XX2	80	45.6	89	155	60	140	160	130	4-ø18	23	4
92502010011XX2	100	51.6	104	170	60	140	180	130	4-ø18	35	5.6
92502012511XX2	125	55.6	120	190	60	140	210	170	4-ø18	67	7.4
92502015011XX2	150	55.6	132	210	60	140	240	170	4-ø23	87	8.8
92502020011XX	200	59.6	167	243	70	195	295	220	4-ø23	157	15.6
92502025011XX	250	67.6	202	282	70	195	355	220	4-ø26	283	24
92502030011XX	300	77.6	239	310	80	230	410	280	4-ø26	437	35
92502035011XX	350	79	265	345	80	230	470	280	4-ø26	620	46.7
92502040011XX	400	105	310	377	127	275	525	388	4-ø30	1322	78
92502045011XX	450	112	328	412	130	280	585	382	4-ø30	1437	105

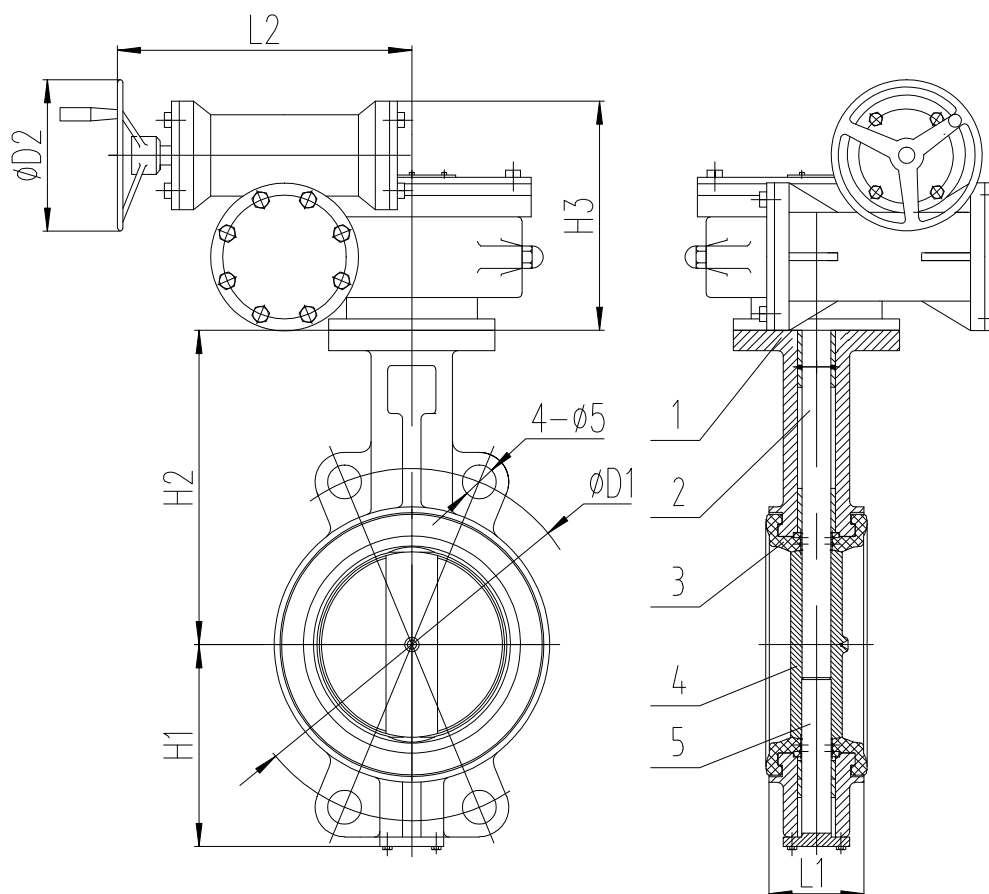
XX= Disc different material



To BS EN 593
 Face to face dimension to BS EN 558 Series 20
 Flanges and drillings to BS EN 1092-2

Component list

- | | | |
|---------|---------|---------|
| 1. Body | 3. Seat | 5. Stem |
| 2. Stem | 4. Disc | |



Ref.no.	DN	L1 mm	H1 mm	H2 mm	H3 mm	L2 mm	D1 mm	D2 mm	4-ø5	Torque N M	Weight Kgs
92502050011XX	500	129	379	440	125	255	650	300	4-ø33	1932	134
92502060011XX	600	154	470	562	130	280	770	300	4-ø36	3023	225

XX= Disc different material

