



**On/Off and Modulating control**  
**220V/380V power supply**  
**On/Off Passive dry contact feedback signal**  
**Modulating 0-10V, 4-20mA control signal and 0-10V, 4-20mA feedback signal**

**Use:**  
For with 925 series, 76 series of butterfly valve.

**Test:**  
Operating torque test, Switch test.

**Marks:**  
ICV logo, wiring diagram, Voltage value.

**Materials**

|                      |                           |
|----------------------|---------------------------|
| Housing              | Aluminium alloy/Cast iron |
| Hand wheel           | Cast iron                 |
| Open/Close indicator | Stainless steel AISI 304  |

**Technical data**

|                  |                           |
|------------------|---------------------------|
| Protection level | IP67                      |
| Ambient temp     | -30~70 deg C              |
| Power supply     | 220V/380V                 |
| Travel angle     | 90 deg +/-5 deg           |
| Manual operation | Allen wrench / Hand wheel |



**On/Off and Modulating control**  
**220V/380V power supply**  
**On/Off Passive dry contact feedback signal**  
**Modulating 0-10V, 4-20mA control signal and 0-10V, 4-20mA feedback signal**

S925 PN16

| Actuator type |       |        |       | 925/06   |          |          |          |          |          |          |          |          |  |
|---------------|-------|--------|-------|----------|----------|----------|----------|----------|----------|----------|----------|----------|--|
| Torque        |       |        |       | 50NM*    | 100NM*   | 150NM*   | 300NM*   | 400NM*   | 600NM*   | 1000NM*  | 2000NM*  | 4000NM   |  |
| power supply  |       |        |       | 220VAC   | 220VAC   | 220VAC   | 220VAC   | 220VAC   | 220VAC   | 220VAC   | 220VAC   | 380VAC   |  |
| Power         |       |        |       | 25W      | 25W      | 40W      | 40W      | 60W      | 90W      | 200W     | 200W     | 370W     |  |
| Runing time   |       |        |       | 20s      | 20s      | 20s      | 26s      | 26s      | 26s      | 26s      | 90s      | 60s      |  |
| Type          | DN    | Type   | DN    | ΔPS[KPa] | ΔPS[KPa] | ΔPS[KPa] | ΔPS[KPa] | ΔPS[KPa] | ΔPS[KPa] | ΔPS[KPa] | ΔPS[KPa] | ΔPS[KPa] |  |
| 925/01        | DN50  | 925/02 | DN50  | 1600     |          |          |          |          |          |          |          |          |  |
| 925/01        | DN65  | 925/02 | DN65  | 1600     |          |          |          |          |          |          |          |          |  |
| 925/01        | DN80  | 925/02 | DN80  | 1600     |          |          |          |          |          |          |          |          |  |
| 925/01        | DN100 | 925/02 | DN100 |          | 1600     |          |          |          |          |          |          |          |  |
| 925/01        | DN125 | 925/02 | DN125 |          | 1600     |          |          |          |          |          |          |          |  |
| 925/01        | DN150 | 925/02 | DN150 |          |          | 1600     |          |          |          |          |          |          |  |
| 925/01        | DN200 | 925/02 | DN200 |          |          |          | 1600     |          |          |          |          |          |  |
| 925/01        | DN250 | 925/02 | DN250 |          |          |          |          | 1600     |          |          |          |          |  |
| 925/01        | DN300 | 925/02 | DN300 |          |          |          |          |          | 1600     |          |          |          |  |
| 925/01        | DN350 | 925/02 | DN350 |          |          |          |          |          |          | 1600     |          |          |  |
| 925/01        | DN400 | 925/02 | DN400 |          |          |          |          |          |          |          | 1600     |          |  |
| 925/01        | DN450 | 925/02 | DN450 |          |          |          |          |          |          |          | 1600     |          |  |
| 925/01        | DN500 | 925/02 | DN500 |          |          |          |          |          |          |          |          | 1600     |  |
| 925/01        | DN600 | 925/02 | DN600 |          |          |          |          |          |          |          |          | 1600     |  |

\*380VAC Voltage optional

S925 PN25

| Actuator type |       |          | 925/06   |          |          |          |          |          |          |          |          |          |         |
|---------------|-------|----------|----------|----------|----------|----------|----------|----------|----------|----------|----------|----------|---------|
| Torque        |       |          | 50NM*    | 100NM*   | 150NM*   | 400NM*   | 600NM*   | 800NM*   | 1500NM*  | 4000NM   | 5000NM   | 8000NM   | 10000NM |
| power supply  |       |          | 220VAC   | 220VAC   | 220VAC   | 220VAC   | 220VAC   | 220VAC   | 220VAC   | 380VAC   | 380VAC   | 380VAC   | 380VAC  |
| Power         |       |          | 25W      | 25W      | 40W      | 40W      | 90W      | 180W     | 180W     | 370W     | 550W     | 1100W    | 1500W   |
| Runing time   |       |          | 20s      | 20s      | 20s      | 26s      | 26s      | 26s      | 90s      | 60s      | 60s      | 60s      | 60s     |
| Type          | DN    | ΔPS[KPa] | ΔPS[KPa] | ΔPS[KPa] | ΔPS[KPa] | ΔPS[KPa] | ΔPS[KPa] | ΔPS[KPa] | ΔPS[KPa] | ΔPS[KPa] | ΔPS[KPa] | ΔPS[KPa] |         |
| 925/01        | DN50  | 2500     |          |          |          |          |          |          |          |          |          |          |         |
| 925/01        | DN65  | 2500     |          |          |          |          |          |          |          |          |          |          |         |
| 925/01        | DN80  |          | 2500     |          |          |          |          |          |          |          |          |          |         |
| 925/01        | DN100 |          |          | 2500     |          |          |          |          |          |          |          |          |         |
| 925/01        | DN125 |          |          | 2500     |          |          |          |          |          |          |          |          |         |
| 925/01        | DN150 |          |          |          | 2500     |          |          |          |          |          |          |          |         |
| 925/01        | DN200 |          |          |          |          | 2500     |          |          |          |          |          |          |         |
| 925/01        | DN250 |          |          |          |          |          | 2500     |          |          |          |          |          |         |
| 925/01        | DN300 |          |          |          |          |          |          | 2500     |          |          |          |          |         |
| 925/01        | DN350 |          |          |          |          |          |          |          | 2500     |          |          |          |         |
| 925/01        | DN400 |          |          |          |          |          |          |          |          | 2500     |          |          |         |
| 925/01        | DN450 |          |          |          |          |          |          |          |          |          | 2500     |          |         |
| 925/01        | DN500 |          |          |          |          |          |          |          |          |          |          | 2500     |         |
| 925/01        | DN600 |          |          |          |          |          |          |          |          |          |          | 2500     |         |

\*380VAC Voltage optional



**On/Off and Modulating control**  
**220V/380V power supply**  
**On/Off Passive dry contact feedback signal**  
**Modulating 0-10V, 4-20mA control signal and 0-10V, 4-20mA feedback signal**

S925 PN16

| Actuator type |        | 925/06    |           |           |           |           |           |           |           |           |           |           |           |           |
|---------------|--------|-----------|-----------|-----------|-----------|-----------|-----------|-----------|-----------|-----------|-----------|-----------|-----------|-----------|
| Torque        |        | 50NM*     | 100NM*    | 150NM*    | 300NM*    | 400NM*    | 600NM*    | 1000NM*   | 2000NM*   | 4000NM    | 8000NM    | 10000NM   | 17500NM   | 27000NM   |
| power supply  |        | 220VAC    | 220VAC    | 220VAC    | 220VAC    | 220VAC    | 220VAC    | 220VAC    | 220VAC    | 380VAC    | 380VAC    | 380VAC    | 380VAC    | 380VAC    |
| Power         |        | 25W       | 25W       | 40W       | 40W       | 60W       | 90W       | 200W      | 200W      | 370W      | 1100W     | 1500W     | 1500W     | 2200W     |
| Runing time   |        | 20s       | 20s       | 20s       | 26s       | 26s       | 26s       | 26s       | 90s       | 60s       | 60s       | 45s       | 45s       | 45s       |
| Type          | DN     | △PS [KPa] | △PS [KPa] | △PS [KPa] | △PS [KPa] | △PS [KPa] | △PS [KPa] | △PS [KPa] | △PS [KPa] | △PS [KPa] | △PS [KPa] | △PS [KPa] | △PS [KPa] | △PS [KPa] |
| 925/03        | DN50   | 1600      |           |           |           |           |           |           |           |           |           |           |           |           |
| 925/03        | DN65   | 1600      |           |           |           |           |           |           |           |           |           |           |           |           |
| 925/03        | DN80   | 1600      |           |           |           |           |           |           |           |           |           |           |           |           |
| 925/03        | DN100  |           | 1600      |           |           |           |           |           |           |           |           |           |           |           |
| 925/03        | DN125  |           | 1600      |           |           |           |           |           |           |           |           |           |           |           |
| 925/03        | DN150  |           |           | 1600      |           |           |           |           |           |           |           |           |           |           |
| 925/03        | DN200  |           |           |           | 1600      |           |           |           |           |           |           |           |           |           |
| 925/03        | DN250  |           |           |           |           | 1600      |           |           |           |           |           |           |           |           |
| 925/03        | DN300  |           |           |           |           |           | 1600      |           |           |           |           |           |           |           |
| 925/03        | DN350  |           |           |           |           |           |           | 1600      |           |           |           |           |           |           |
| 925/03        | DN400  |           |           |           |           |           |           |           | 1600      |           |           |           |           |           |
| 925/03        | DN450  |           |           |           |           |           |           |           | 1600      |           |           |           |           |           |
| 925/03        | DN500  |           |           |           |           |           |           |           |           | 1600      |           |           |           |           |
| 925/03        | DN600  |           |           |           |           |           |           |           |           | 1600      |           |           |           |           |
| 925/03        | DN700  |           |           |           |           |           |           |           |           |           | 1600      |           |           |           |
| 925/03        | DN800  |           |           |           |           |           |           |           |           |           |           | 1600      |           |           |
| 925/03        | DN900  |           |           |           |           |           |           |           |           |           |           |           | 1600      |           |
| 925/03        | DN1000 |           |           |           |           |           |           |           |           |           |           |           |           | 1600      |
| 925/03        | DN1200 |           |           |           |           |           |           |           |           |           |           |           |           | 1600      |

\*380VAC Voltage optional

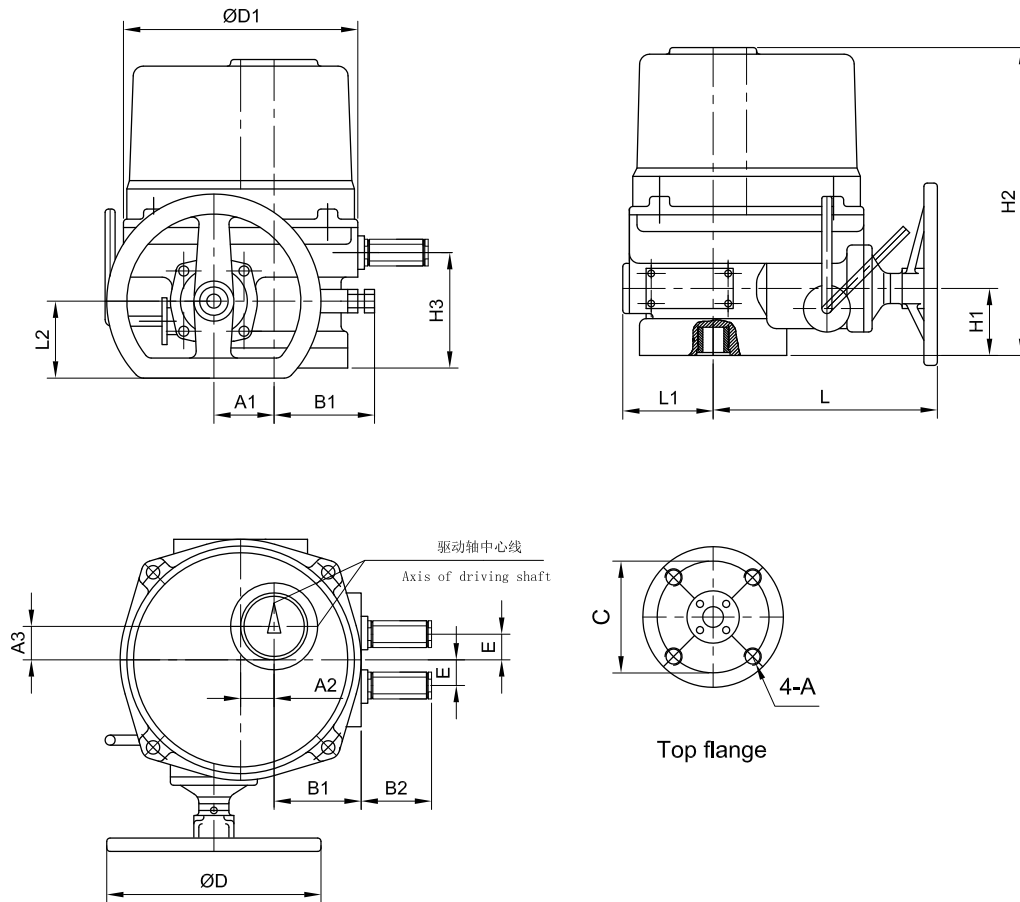
S76 PN16

| Actuator type |       |       |       | 925/06   |          |          |          |          |          |          |          |  |
|---------------|-------|-------|-------|----------|----------|----------|----------|----------|----------|----------|----------|--|
| Torque        |       |       |       | 50NM*    | 100NM*   | 150NM*   | 300NM*   | 400NM*   | 600NM*   | 800NM*   | 1500NM*  |  |
| power supply  |       |       |       | 220VAC   | 220VAC   | 220VAC   | 220VAC   | 220VAC   | 220VAC   | 220VAC   | 220VAC   |  |
| Power         |       |       |       | 25W      | 25W      | 40W      | 40W      | 60W      | 90W      | 180W     | 180W     |  |
| Runing time   |       |       |       | 20s      | 20s      | 20s      | 26s      | 26s      | 26s      | 26s      | 90s      |  |
| Type          | DN    | Type  | DN    | △PS[KPa] | △PS[KPa] | △PS[KPa] | △PS[KPa] | △PS[KPa] | △PS[KPa] | △PS[KPa] | △PS[KPa] |  |
| 76/71         | DN50  | 76/72 | DN50  | 1600     |          |          |          |          |          |          |          |  |
| 76/71         | DN65  | 76/72 | DN65  | 1600     |          |          |          |          |          |          |          |  |
| 76/71         | DN80  | 76/72 | DN80  | 1600     |          |          |          |          |          |          |          |  |
| 76/71         | DN100 | 76/72 | DN100 |          | 1600     |          |          |          |          |          |          |  |
| 76/71         | DN125 | 76/72 | DN125 |          | 1600     |          |          |          |          |          |          |  |
| 76/71         | DN150 | 76/72 | DN150 |          |          | 1600     |          |          |          |          |          |  |
| 76/71         | DN200 | 76/72 | DN200 |          |          |          | 1600     |          |          |          |          |  |
| 76/71         | DN250 | 76/72 | DN250 |          |          |          |          | 1600     |          |          |          |  |
| 76/71         | DN300 | 76/72 | DN300 |          |          |          |          |          | 1600     |          |          |  |
| 76/71         | DN350 | 76/72 | DN350 |          |          |          |          |          |          | 1600     |          |  |
| 76/71         | DN400 | 76/72 | DN400 |          |          |          |          |          |          |          | 1600     |  |

\*380VAC Voltage optional



**On/Off and Modulating control**  
**220V/380V power supply**  
**On/Off Passive dry contact feedback signal**  
**Modulating 0-10V, 4-20mA control signal and 0-10V, 4-20mA feedback signal**

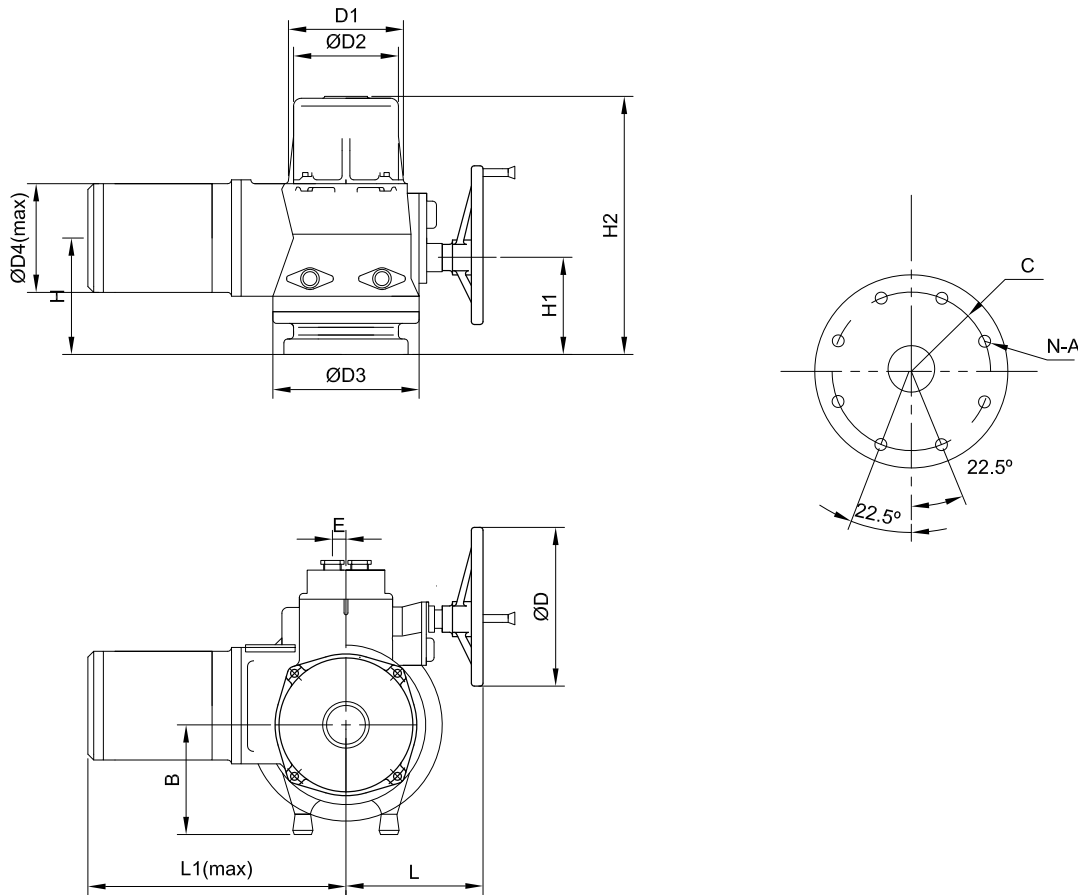


| Ref.no.       | Touqre N.M | Power W | Runing time s | C mm | N mm | A mm | A1 mm | A2 mm | A3 mm | B mm | B1 mm | B2 mm | D mm | D1 mm | E mm | H1 mm | H2 mm | H3 mm | L mm | L1 mm | L2 mm | Weight Kgs |
|---------------|------------|---------|---------------|------|------|------|-------|-------|-------|------|-------|-------|------|-------|------|-------|-------|-------|------|-------|-------|------------|
| 925060005AAXY | 50         | 25      | 20            | 50   | 4    | M6   | 49.5  | 22.5  | 30    | 85   | 77.5  | 40    | 200  | 200   | 27.5 | 64    | 263   | 113   | 190  | 85    | 76    | 12         |
| 925060010AAXY | 100        | 25      | 20            | 50   | 4    | M6   | 49.5  | 22.5  | 30    | 85   | 77.5  | 40    | 200  | 200   | 27.5 | 64    | 263   | 113   | 190  | 85    | 76    | 12         |
| 925060015AAXY | 150        | 40      | 20            | 70   | 4    | M8   | 49.5  | 22.5  | 30    | 85   | 77.5  | 40    | 200  | 200   | 27.5 | 64    | 263   | 113   | 190  | 85    | 76    | 12         |
| 925060020AAXY | 200        | 40      | 20            | 70   | 4    | M8   | 49.5  | 22.5  | 30    | 85   | 77.5  | 40    | 200  | 200   | 27.5 | 64    | 263   | 113   | 190  | 85    | 76    | 13         |
| 925060030AAXY | 300        | 40      | 26            | 102  | 4    | M10  | 60    | 33    | 35    | 100  | 77    | 40    | 200  | 220   | 27.5 | 70    | 304   | 119   | 205  | 88    | 76    | 17         |
| 925060040AAXY | 400        | 60      | 26            | 102  | 4    | M10  | 60    | 33    | 35    | 100  | 77    | 40    | 200  | 220   | 27.5 | 70    | 304   | 119   | 205  | 88    | 76    | 18         |
| 925060050AAXY | 500        | 90      | 26            | 102  | 4    | M10  | 60    | 33    | 35    | 100  | 77    | 40    | 200  | 220   | 27.5 | 70    | 304   | 119   | 205  | 88    | 76    | 19         |
| 925060060AAXY | 600        | 90      | 26            | 125  | 4    | M12  | 70    | 43    | 38    | 115  | 92    | 40    | 250  | 260   | 27.5 | 78    | 342   | 127   | 228  | 106   | 110   | 22         |
| 925060080AAXY | 800        | 180     | 26            | 125  | 4    | M12  | 70    | 43    | 38    | 115  | 92    | 40    | 250  | 260   | 27.5 | 78    | 342   | 127   | 228  | 106   | 110   | 23         |
| 925060100AAXY | 1000       | 200     | 26            | 140  | 4    | M16  | 70    | 43    | 38    | 115  | 92    | 40    | 250  | 260   | 27.5 | 78    | 342   | 127   | 228  | 106   | 110   | 25         |
| 925060150AAXY | 1500       | 180     | 90            | 140  | 4    | M16  | 70    | 43    | 38    | 165  | 92    | 40    | 250  | 260   | 27.5 | 185   | 342   | 349   | 228  | 106   | 110   | 48         |
| 925060200AAXY | 2000       | 200     | 90            | 165  | 4    | M20  | 70    | 43    | 38    | 165  | 92    | 40    | 250  | 260   | 27.5 | 185   | 342   | 349   | 228  | 106   | 110   | 50         |
| 925060250AAXY | 2500       | 200     | 90            | 165  | 4    | M20  | 70    | 43    | 38    | 165  | 92    | 40    | 250  | 260   | 27.5 | 185   | 342   | 349   | 228  | 106   | 110   | 50         |

AA\* Top flange  
 X=1, On/Off control  
 x=2, On/Off control (With Passive dry contact feedback signal)  
 x=3, Modulating control and feedback  
 Y = 0, 220V, Y = 1, 380V  
 Note:  
 1. C\*Top flange can according to customer requirements .  
 2. The control signal , the feedback signal is required when ordering.  
 3. The torque safety factor of valve needs multiply 1.3.



**On/Off and Modulating control**  
**220V/380V power supply**  
**On/Off Passive dry contact feedback signal**  
**Modulating 0-10V, 4-20mA control signal and 0-10V, 4-20mA feedback signal**

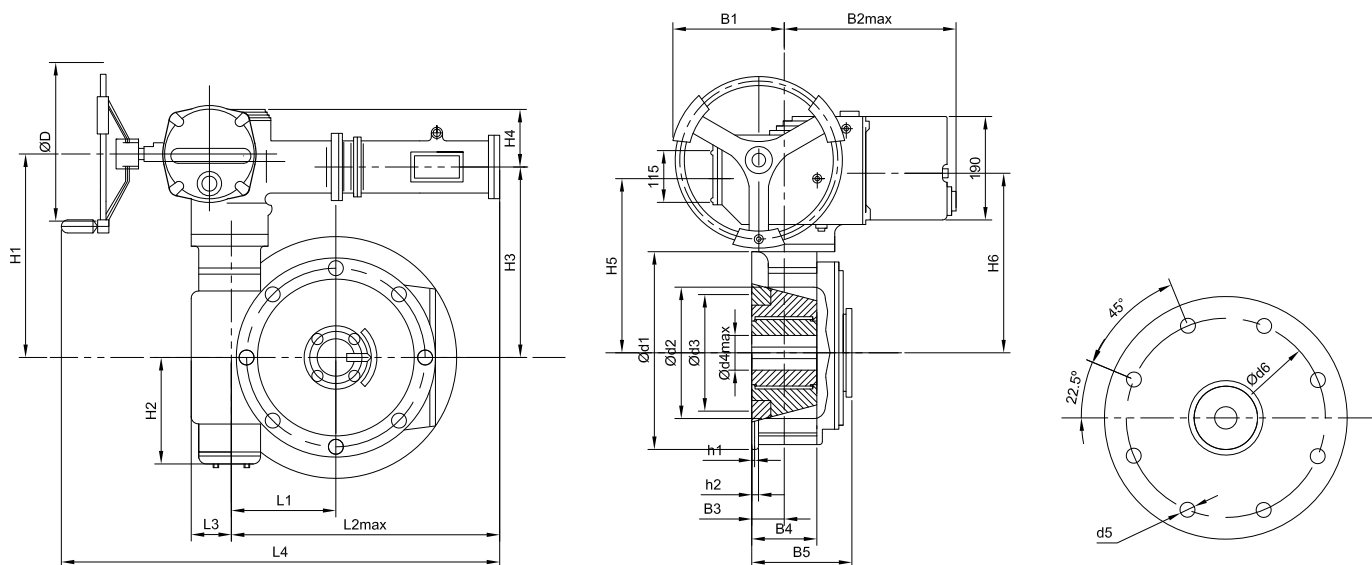


| Ref.no.       | Touqre N.M | power supply VAC | Power W | Runing time s | C* mm | N mm | A mm | B mm | D mm | D1 mm | D2 mm | D3 mm | D4 mm | E mm | H mm | H1 mm | H2 mm | L mm | L1 mm | Weight Kgs |
|---------------|------------|------------------|---------|---------------|-------|------|------|------|------|-------|-------|-------|-------|------|------|-------|-------|------|-------|------------|
| 925060400AAX1 | 4000       | 380              | 370     | 60            | 165   | 4    | M20  | 180  | 457  | 246   | 230   | 315   | 170   | 21   | 204  | 163   | 417   | 262  | 510   | 120        |
| 925060500AAX1 | 5000       | 380              | 550     | 60            | 165   | 4    | M20  | 180  | 457  | 246   | 230   | 315   | 170   | 21   | 204  | 163   | 417   | 262  | 510   | 120        |
| 925060600AAX1 | 6000       | 380              | 550     | 60            | 254   | 8    | M16  | 180  | 457  | 246   | 230   | 315   | 170   | 21   | 204  | 163   | 417   | 262  | 510   | 120        |
| 925060800AAX1 | 8000       | 380              | 1100    | 60            | 254   | 8    | M16  | 212  | 457  | 284   | 270   | 408   | 185   | 21   | 247  | 203   | 496   | 410  | 710   | 210        |
| 925061000AAX1 | 10000      | 380              | 1500    | 60            | 298   | 8    | M20  | 212  | 457  | 284   | 270   | 408   | 185   | 21   | 247  | 203   | 496   | 410  | 710   | 210        |
| 925061200AAX1 | 12000      | 380              | 2200    | 60            | 298   | 8    | M20  | 212  | 457  | 284   | 270   | 4008  | 185   | 21   | 247  | 203   | 496   | 410  | 710   | 210        |

AA\* Top flange  
X=1, On/Off control  
x=2, On/Off control (With Passive dry contact feedback signal)  
x=3, Modulating control and feedback  
Note:  
1. C\*Top flange can according to customer requirements .  
2. The control signal , the feedback signal is required when ordering.  
3. The torque safety factor of valve needs multiply 1.3.



**On/Off and Modulating control**  
**220V/380V power supply**  
**On/Off Passive dry contact feedback signal**  
**Modulating 0-10V, 4-20mA control signal and 0-10V, 4-20mA feedback signal**



| Ref.no.       | Touqre | power supply | Power supply | Runing time | L1  | L2  | L3  | L4   | B1  | B2  | B3  | B4  | B5  | H1  | H2  | H3  | H4  | H5  | H6  | d1  | d2  | d3  | d4  | d5  | d6  | h1 | h2 | D   | Weight |
|---------------|--------|--------------|--------------|-------------|-----|-----|-----|------|-----|-----|-----|-----|-----|-----|-----|-----|-----|-----|-----|-----|-----|-----|-----|-----|-----|----|----|-----|--------|
|               | N.M    | VAC          | W            | s           | mm  | mm  | mm  | mm   | mm  | mm  | mm  | mm  | mm  | mm  | mm  | mm  | mm  | mm  | mm  | mm  | mm  | mm  | mm  | mm  | mm  | mm | mm | mm  | Kgs    |
| 925061750AAX1 | 17500  | 380          | 1500         | 45          | 197 | 529 | 104 | 939  | 273 | 367 | 121 | 197 | 258 | 672 | 233 | 410 | 153 | 414 | 435 | 476 | 340 | 248 | 105 | M20 | 406 | 7  | 25 | 305 | 320    |
| 925062700AAX1 | 27000  | 380          | 2200         | 45          | 248 | 623 | 104 | 1052 | 304 | 393 | 127 | 222 | 280 | 724 | 255 | 448 | 162 | 446 | 566 | 533 | 410 | 350 | 165 | M20 | 466 | 7  | 25 | 305 | 520    |
| 925064200AAX1 | 42000  | 380          | 3000         | 45          | 330 | 697 | 125 | 1154 | 333 | 418 | 165 | 266 | 338 | 900 | 335 | 540 | 200 | 542 | 564 | 667 | 530 | 360 | 170 | M30 | 584 | 12 | /  | 458 | 780    |

AA\* Top flange  
 X=1, On/Off control  
 x=2, On/Off control (With Passive dry contact feedback signal)  
 x=3, Modulating control and feedback  
 Note:  
 1. C\*Top flange can according to customer requirements .  
 2. The control signal , the feedback signal is required when ordering.  
 3. The torque safety factor of valve needs multiply 1.3.

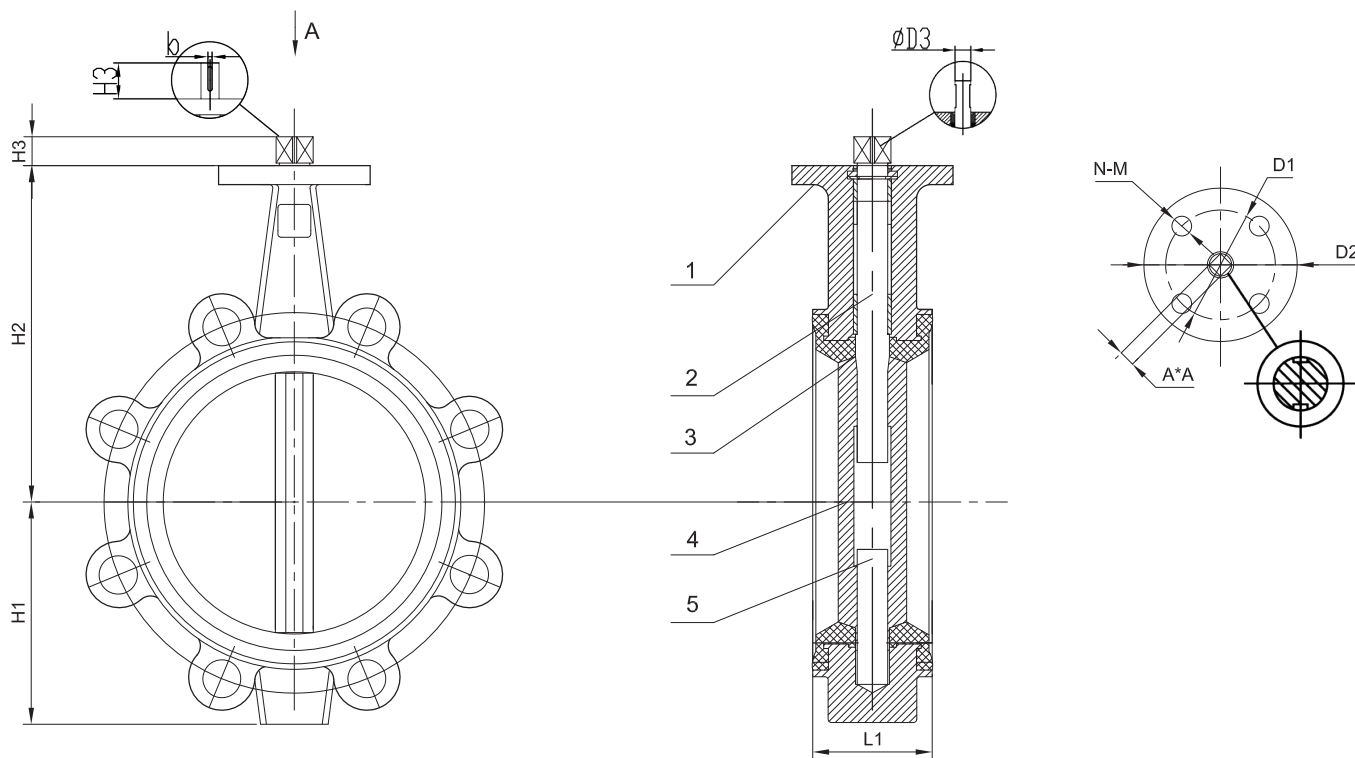


**On/Off and Modulating control**  
**220V/380V power supply**  
**On/Off Passive dry contact feedback signal**  
**Modulating 0-10V, 4-20mA control signal and 0-10V, 4-20mA feedback signal**

925/01 Lug type

**Component list**

- |         |         |         |
|---------|---------|---------|
| 1. Body | 3. Seat | 5. Stem |
| 2. Stem | 4. Disc |         |



| Ref.no.        | Top flange |           | L1   | H1  | H2  | H3        |             | A*A       |           | D1        |           | D2        |             | D3        |             | b         |           | N-M       |           | Touqre    |           | Weight    |           |
|----------------|------------|-----------|------|-----|-----|-----------|-------------|-----------|-----------|-----------|-----------|-----------|-------------|-----------|-------------|-----------|-----------|-----------|-----------|-----------|-----------|-----------|-----------|
|                | DN         |           |      |     |     | mm        | mm          | mm        | mm        | mm        | mm        | mm        | mm          | mm        | mm          | mm        | mm        | mm        | mm        | mm        | mm        | mm        | mm        |
|                |            | PN16 PN25 |      |     |     | PN16 PN25 | PN16 PN25   | PN16 PN25 | PN16 PN25 | PN16 PN25 | PN16 PN25 | PN16 PN25 | PN16 PN25   | PN16 PN25 | PN16 PN25   | PN16 PN25 | PN16 PN25 | PN16 PN25 | PN16 PN25 | PN16 PN25 | PN16 PN25 | PN16 PN25 | PN16 PN25 |
| 925010050X1YY1 | 50         | F05       | 42.6 | 70  | 130 | 15        | 14*14       | 50        | 65        | -         | -         | 4-M6      | 15          | 24        | 2.7         | 4.7       |           |           |           |           |           |           |           |
| 925010065X1YY1 | 65         | F05       | 45.6 | 76  | 143 | 15        | 14*14       | 50        | 65        | -         | -         | 4-M6      | 20          | 29        | 3.75        | 5         |           |           |           |           |           |           |           |
| 925010080X1YY1 | 80         | F05       | 45.6 | 89  | 155 | 15        | 14*14       | 50        | 65        | -         | -         | 4-M6      | 24          | 34        | 5.6         | 5.8       |           |           |           |           |           |           |           |
| 925010100X1YY1 | 100        | F07       | 51.6 | 104 | 170 | 17        | 14*14 17*17 | 70        | 90        | -         | -         | 4-M8      | 35          | 82        | 9.5         | 8         |           |           |           |           |           |           |           |
| 925010125X1YY1 | 125        | F07       | 55.6 | 120 | 190 | 19        | 17*17       | 70        | 90        | -         | -         | 4-M8      | 67          | 108       | 13          | 10.6      |           |           |           |           |           |           |           |
| 925010150X1YY1 | 150        | F07       | 55.6 | 132 | 210 | 19        | 17*17       | 70        | 90        | -         | -         | 4-M8      | 92          | 228       | 14.5        | 12.2      |           |           |           |           |           |           |           |
| 925010200X1YY1 | 200        | F10       | 59.6 | 167 | 243 | 24        | 22*22       | 102       | 125       | -         | -         | 4-M10     | 213         | 353       | 12.4        | 17.4      |           |           |           |           |           |           |           |
| 925010250X1YY1 | 250        | F10       | 67.6 | 202 | 282 | 24        | 22*22       | 102       | 125       | -         | -         | 4-M10     | 283         | 606       | 18.8        | 24.8      |           |           |           |           |           |           |           |
| 925010300X1YY1 | 300        | F12       | 77.6 | 239 | 310 | 29        | 27*27       | 125       | 150       | -         | -         | 4-M12     | 450         | 1118      | 30          | 34        |           |           |           |           |           |           |           |
| 925010350X1YY1 | 350        | F12       | 79   | 265 | 345 | 29        | 27*27 36*36 | 125       | 150       | -         | -         | 4-M12     | 620         | 2080      | 57.5        | 64        |           |           |           |           |           |           |           |
| 925010400X1YY1 | 400        | F14 F16   | 105  | 310 | 377 | 45        | 36*36 46*46 | 140       | 165       | 175       | 210       | -         | 4-M16 4-M20 | 1210      | 2590        | 91.2      | 100       |           |           |           |           |           |           |
| 925010450X1YY1 | 450        | F14 F16   | 112  | 328 | 412 | 45        | 36*36 46*46 | 140       | 165       | 175       | 210       | -         | 4-M16 4-M20 | 1437      | 3287        | 104       | 120       |           |           |           |           |           |           |
| 925010500X1YY1 | 500        | F16 F25   | 129  | 379 | 440 | 50        | 46*46       | -         | 165       | 254       | 210       | 300       | 18          | 50.65     | 4-M20 8-M16 | 1932      | 5064      | 163       | 160       |           |           |           |           |
| 925010600X1YY1 | 600        | F16 F25   | 154  | 470 | 562 | 50        | 46*46       | -         | 165       | 254       | 210       | 300       | 20          | 74.8      | 4-M20 8-M16 | 3023      | 6593      | 252       | 260       |           |           |           |           |

X=1. PN16; X=3. PN25  
YY=08 Disc: Ductile iron with Epoxy coated  
YY=09 Disc: Stainless steel AISI304  
YY=14 Disc: Stainless steel AISI316

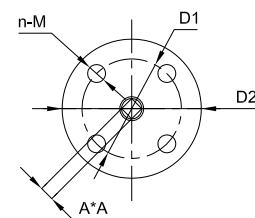
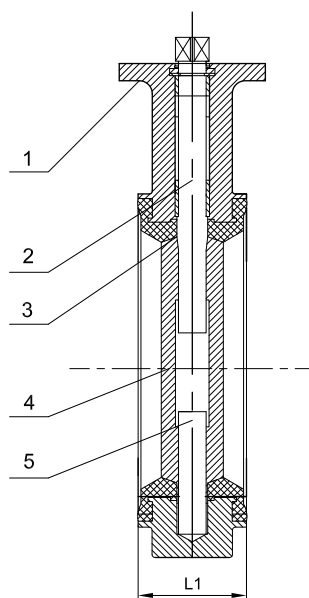
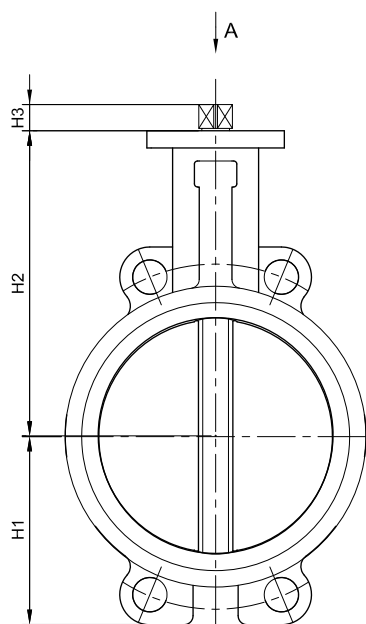


**On/Off and Modulating control**  
**220V/380V power supply**  
**On/Off Passive dry contact feedback signal**  
**Modulating 0-10V, 4-20mA control signal and 0-10V, 4-20mA feedback signal**

925/02 Wafer type

**Component list**

- |         |         |         |
|---------|---------|---------|
| 1. Body | 3. Seat | 5. Stem |
| 2. Stem | 4. Disc |         |



| Ref.no.        | DN  | Top flange | L1   | H1  | H2  | H3 | A*A   | D1  | D2  | N-M   | Tougre | Weight |
|----------------|-----|------------|------|-----|-----|----|-------|-----|-----|-------|--------|--------|
|                |     |            | mm   | mm  | mm  | mm | mm    | mm  | mm  |       | N M    | Kgs    |
| 92502005011YY1 | 50  | F05        | 42.6 | 70  | 130 | 15 | 14*14 | 50  | 65  | 4-M6  | 14     | 2.1    |
| 92502006511YY1 | 65  | F05        | 45.6 | 76  | 143 | 15 | 14*14 | 50  | 65  | 4-M6  | 18     | 2.4    |
| 92502008011YY1 | 80  | F05        | 45.6 | 89  | 155 | 15 | 14*14 | 50  | 65  | 4-M6  | 23     | 2.6    |
| 92502010011YY1 | 100 | F07        | 51.6 | 104 | 170 | 17 | 14*14 | 70  | 90  | 4-M8  | 35     | 4.5    |
| 92502012511YY1 | 125 | F07        | 55.6 | 120 | 190 | 19 | 17*17 | 70  | 90  | 4-M8  | 67     | 6.8    |
| 92502015011YY1 | 150 | F07        | 55.6 | 132 | 210 | 19 | 17*17 | 70  | 90  | 4-M8  | 87     | 8.3    |
| 92502020011YY1 | 200 | F10        | 59.6 | 167 | 243 | 24 | 22*22 | 102 | 125 | 4-M10 | 157    | 11     |
| 92502025011YY1 | 250 | F10        | 67.6 | 202 | 282 | 24 | 22*22 | 102 | 125 | 4-M10 | 283    | 18.8   |
| 92502030011YY1 | 300 | F12        | 77.6 | 239 | 310 | 29 | 27*27 | 125 | 150 | 4-M12 | 437    | 29     |
| 92502035011YY1 | 350 | F12        | 79   | 265 | 345 | 29 | 27*27 | 125 | 150 | 4-M12 | 620    | 41     |
| 92502040011YY1 | 400 | F14        | 105  | 310 | 377 | 45 | 36*36 | 140 | 175 | 4-M16 | 1322   | 61     |
| 92502045011YY1 | 450 | F14        | 112  | 328 | 412 | 45 | 36*36 | 140 | 175 | 4-M16 | 1437   | 79     |
| 92502050011YY1 | 500 | F16        | 129  | 379 | 440 | 50 | 46*46 | 165 | 210 | 4-M20 | 1932   | 128    |
| 92502060011YY1 | 600 | F16        | 154  | 470 | 562 | 50 | 46*46 | 165 | 210 | 4-M20 | 3023   | 188    |

YY=08 Disc: Ductile iron with Epoxy coated  
 YY=09 Disc: Stainless steel AISI304  
 YY=14 Disc: Stainless steel AISI316



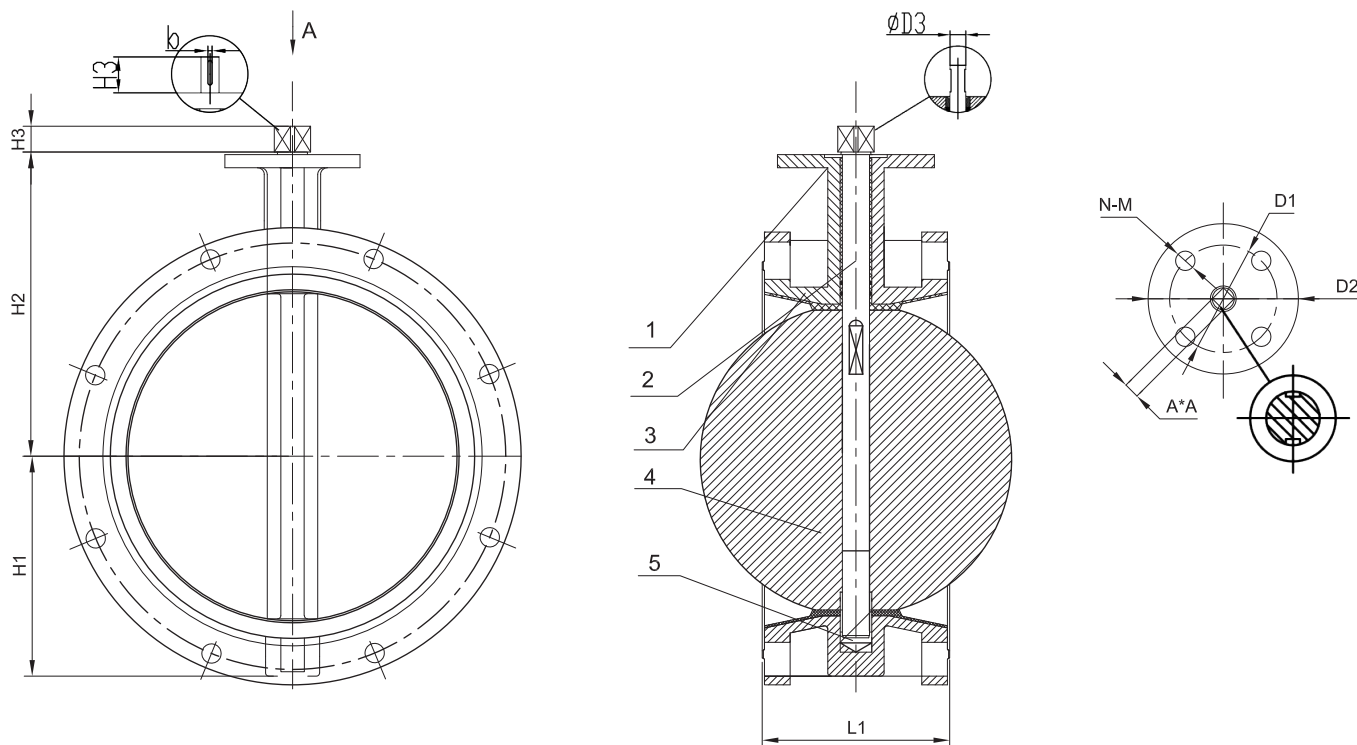


**On/Off and Modulating control**  
**220V/380V power supply**  
**On/Off Passive dry contact feedback signal**  
**Modulating 0-10V, 4-20mA control signal and 0-10V, 4-20mA feedback signal**

925/03 Double flange type

**Component list**

- |         |         |         |
|---------|---------|---------|
| 1. Body | 3. Seat | 5. Stem |
| 2. Stem | 4. Disc |         |



| Ref.no.        | Top flange | DN  | L1  | H1  | H2  | H3  | A*A   | D1  | D2  | D3  | b  | N-M   | Touqre | Weight |
|----------------|------------|-----|-----|-----|-----|-----|-------|-----|-----|-----|----|-------|--------|--------|
|                |            |     | mm  | mm  | mm  | mm  | mm    | mm  | mm  | mm  | mm | N,M   | N,M    | Kgs    |
| 92503005011YY1 | 50         | F05 | 108 | 62  | 130 | 15  | 14*14 | 50  | 65  | -   | -  | 4-M6  | 14     | 8.7    |
| 92503006511YY1 | 65         | F05 | 112 | 73  | 145 | 15  | 14*14 | 50  | 65  | -   | -  | 4-M6  | 18     | 9.6    |
| 92503008011YY1 | 80         | F05 | 114 | 85  | 155 | 15  | 14*14 | 50  | 65  | -   | -  | 4-M6  | 23     | 10.2   |
| 92503010011YY1 | 100        | F07 | 127 | 102 | 170 | 17  | 14*14 | 70  | 90  | -   | -  | 4-M8  | 35     | 10.8   |
| 92503012511YY1 | 125        | F07 | 140 | 116 | 190 | 19  | 17*17 | 70  | 90  | -   | -  | 4-M8  | 67     | 14.2   |
| 92503015011YY1 | 150        | F07 | 140 | 130 | 210 | 19  | 17*17 | 70  | 90  | -   | -  | 4-M8  | 87     | 17.2   |
| 92503020011YY1 | 200        | F10 | 152 | 160 | 243 | 24  | 22*22 | 102 | 125 | -   | -  | 4-M10 | 157    | 39.27  |
| 92503025011YY1 | 250        | F10 | 165 | 193 | 282 | 24  | 22*22 | 102 | 125 | -   | -  | 4-M10 | 283    | 51.33  |
| 92503030011YY1 | 300        | F12 | 178 | 230 | 310 | 29  | 27*27 | 125 | 150 | -   | -  | 4-M12 | 437    | 57     |
| 92503035011YY1 | 350        | F12 | 190 | 256 | 345 | 29  | 27*27 | 125 | 150 | -   | -  | 4-M12 | 620    | 81.85  |
| 92503040011YY1 | 400        | F14 | 216 | 283 | 377 | 45  | 36*36 | 140 | 175 | -   | -  | 4-M16 | 1322   | 123    |
| 92503045011YY1 | 450        | F14 | 222 | 317 | 375 | 45  | 36*36 | 140 | 175 | -   | -  | 4-M16 | 1437   | 134    |
| 92503050011YY1 | 500        | F16 | 229 | 355 | 430 | 50  | 46*46 | 165 | 210 | -   | -  | 4-M20 | 1932   | 168    |
| 92503060011YY1 | 600        | F16 | 267 | 410 | 500 | 50  | 46*46 | 165 | 210 | -   | -  | 4-M20 | 3023   | 258    |
| 92503070011YY1 | 700        | F25 | 292 | 478 | 560 | 82  | -     | 254 | 300 | 82  | 18 | 8-M16 | 5399   | 310    |
| 92503080011YY1 | 800        | F25 | 318 | 529 | 620 | 82  | -     | 254 | 300 | 82  | 18 | 8-M16 | 7108   | 430    |
| 92503090011YY1 | 900        | F25 | 330 | 584 | 665 | 118 | -     | 254 | 300 | 118 | 20 | 8-M16 | 8675   | 670    |
| 92503100011YY1 | 1000       | F25 | 410 | 657 | 735 | 142 | -     | 254 | 300 | 142 | 22 | 8-M16 | 14728  | 900    |
| 92503120011YY1 | 12000      | F30 | 470 | 799 | 917 | 142 | -     | 298 | 350 | 142 | 28 | 8-M20 | 20716  | 1450   |

YY=08 Disc: Ductile iron with Epoxy coated  
 YY=09 Disc: Stainless steel AISI304  
 YY=14 Disc: Stainless steel AISI316

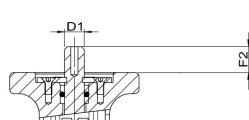
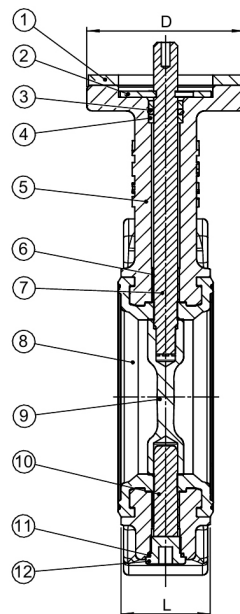
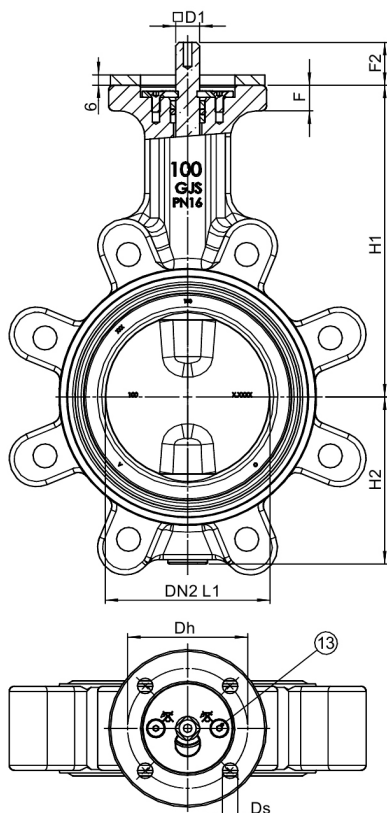


**On/Off and Modulating control**  
**220V/380V power supply**  
**On/Off Passive dry contact feedback signal**  
**Modulating 0-10V, 4-20mA control signal and 0-10V, 4-20mA feedback signal**

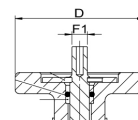
76/71 Lug type

**Component list**

- |                      |            |                 |                |                       |
|----------------------|------------|-----------------|----------------|-----------------------|
| 1. Dew point blocker | 4. Ring    | 7. Drive shaft  | 10. Stub shaft | 13. Countersunk screw |
| 2. Plate             | 5. Body    | 8. Loose lining | 11. O-ring     |                       |
| 3. O-ring            | 6. Bearing | 9. Disc         | 12. Plug       |                       |



DN350-400



| Ref.no.               | DN  | DN2L1 | L   | H1  | H2  | F  | F2 | D   | D1 | F1 | Dh  | Ds | Touqre | Weight |
|-----------------------|-----|-------|-----|-----|-----|----|----|-----|----|----|-----|----|--------|--------|
|                       |     | mm    | mm  | mm  | mm  | mm | mm | mm  | mm | mm | mm  | mm | N M    | Kgs    |
| 76-0050-71-83ZZ026905 | 50  | 48    | 43  | 125 | 65  | 12 | 18 | 67  | 9  | -  | 50  | 7  | 13     | 3.3    |
| 76-0065-71-83ZZ026905 | 65  | 62    | 46  | 150 | 78  | 12 | 18 | 67  | 9  | -  | 50  | 7  | 20     | 4.1    |
| 76-0080-71-83ZZ026905 | 80  | 76    | 46  | 157 | 85  | 12 | 18 | 67  | 9  | -  | 50  | 7  | 28     | 5.4    |
| 76-0100-71-83ZZ026905 | 100 | 95    | 52  | 182 | 98  | 15 | 25 | 92  | 11 | -  | 70  | 9  | 44     | 8.0    |
| 76-0125-71-83ZZ026905 | 125 | 120   | 56  | 201 | 114 | 15 | 25 | 92  | 14 | -  | 70  | 9  | 76     | 11     |
| 76-0150-71-83ZZ026905 | 150 | 145   | 56  | 214 | 127 | 15 | 25 | 92  | 14 | -  | 70  | 9  | 110    | 12     |
| 76-0200-71-83ZZ026905 | 200 | 195   | 60  | 245 | 158 | 18 | 31 | 92  | 17 | -  | 70  | 9  | 210    | 19     |
| 76-0250-71-83ZZ026905 | 250 | 245   | 68  | 283 | 194 | 20 | 38 | 130 | 22 | -  | 102 | 11 | 315    | 32     |
| 76-0300-71-83ZZ026905 | 300 | 295   | 78  | 308 | 219 | 20 | 38 | 130 | 22 | -  | 102 | 11 | 440    | 45     |
| 76-0350-71-83WW026905 | 350 | 346   | 78  | 354 | 272 | 16 | 52 | 150 | 35 | 38 | 125 | 15 | 660    | 63     |
| 76-0400-71-83WW026905 | 400 | 396   | 102 | 383 | 301 | 20 | 65 | 175 | 45 | 49 | 140 | 19 | 881    | 99     |

ZZ-75 Disc:Ductile iron with Epoxy coated  
 ZZ-74 Disc:Stainless Steel AISI 316  
 WW-79 Disc:Ductile iron with Epoxy coated  
 WW-77 Disc:Stainless Steel AISI 316

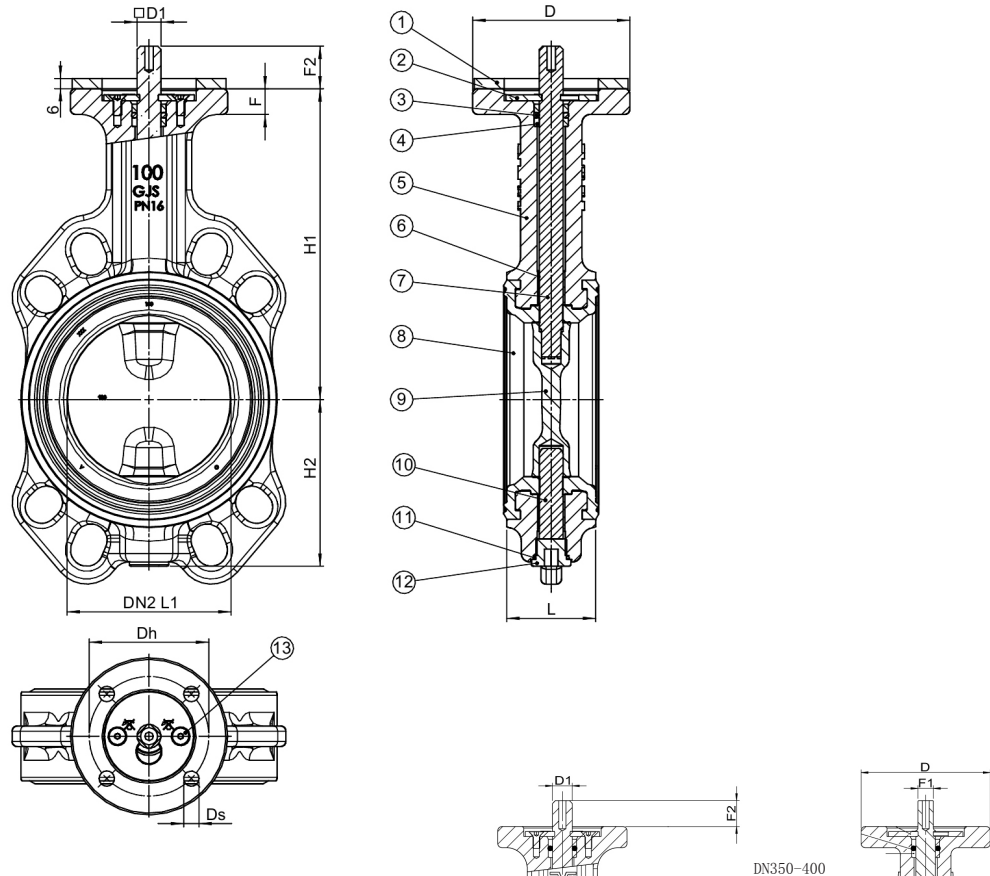


**On/Off and Modulating control**  
**220V/380V power supply**  
**On/Off Passive dry contact feedback signal**  
**Modulating 0-10V, 4-20mA control signal and 0-10V, 4-20mA feedback signal**

76/72 Wafer type

**Component list**

- |                      |            |                 |                |                       |
|----------------------|------------|-----------------|----------------|-----------------------|
| 1. Dew point blocker | 4. Ring    | 7. Drive shaft  | 10. Stub shaft | 13. Countersunk screw |
| 2. Plate             | 5. Body    | 8. Loose lining | 11. O-ring     |                       |
| 3. O-ring            | 6. Bearing | 9. Disc         | 12. Plug       |                       |



| Ref.no.               | DN  | DN2L1 | L   | H1  | H2  | F  | F2 | D   | D1 | F1 | Dh  | Ds | Touqre | Weight |
|-----------------------|-----|-------|-----|-----|-----|----|----|-----|----|----|-----|----|--------|--------|
|                       |     | mm    | mm  | mm  | mm  | mm | mm | mm  | mm | mm | mm  | mm | N M    | Kgs    |
| 76-0050-72-81ZZ026905 | 50  | 48    | 43  | 125 | 65  | 12 | 18 | 67  | 9  | -  | 50  | 7  | 13     | 2.7    |
| 76-0065-72-81ZZ026905 | 65  | 62    | 46  | 150 | 78  | 12 | 18 | 67  | 9  | -  | 50  | 7  | 20     | 3.4    |
| 76-0080-72-81ZZ026905 | 80  | 76    | 46  | 157 | 85  | 12 | 18 | 67  | 9  | -  | 50  | 7  | 28     | 4.0    |
| 76-0100-72-81ZZ026905 | 100 | 95    | 52  | 182 | 98  | 15 | 25 | 92  | 11 | -  | 70  | 9  | 44     | 6.0    |
| 76-0125-72-81ZZ026905 | 125 | 120   | 56  | 201 | 114 | 15 | 25 | 92  | 14 | -  | 70  | 9  | 76     | 7.7    |
| 76-0150-72-81ZZ026905 | 150 | 145   | 56  | 214 | 127 | 15 | 25 | 92  | 14 | -  | 70  | 9  | 110    | 9.0    |
| 76-0200-72-81ZZ026905 | 200 | 195   | 60  | 245 | 158 | 18 | 31 | 92  | 17 | -  | 70  | 9  | 210    | 14     |
| 76-0250-72-81ZZ026905 | 250 | 245   | 68  | 283 | 194 | 20 | 38 | 130 | 22 | -  | 102 | 11 | 315    | 25     |
| 76-0300-72-81ZZ026905 | 300 | 295   | 78  | 308 | 219 | 20 | 38 | 130 | 22 | -  | 102 | 11 | 440    | 35     |
| 76-0350-72-81WW026905 | 350 | 346   | 78  | 354 | 272 | 16 | 52 | 150 | 35 | 38 | 125 | 15 | 660    | 45.56  |
| 76-0400-72-81WW026905 | 400 | 396   | 102 | 383 | 301 | 20 | 65 | 175 | 45 | 49 | 140 | 19 | 881    | 66     |

ZZ-75 Disc:Ductile iron with Epoxy coated  
 ZZ-74 Disc:Stainless Steel AISI 316  
 WW-79 Disc:Ductile iron with Epoxy coated  
 WW-77 Disc:Stainile Steel AISI 316

