



Lightweight electric actuators for ICV series 76 with wafer and lug butterfly valves DN50-400

Modulating control/feedback signal (0-10V, 4..20mA)

On/off control signal with optional passive dry contact

Standard AC220V 50/60Hz (optional AC24V, AC380V 50/60Hz)

Use:
Series 76 butterfly valve.

Test:
Operating torque test, switch test.

Markings:
ICV logo, wiring diagram, voltage.

Functional summary valve and actuator
Power supply* 220VAC 50/60Hz
Modulating control/feedback 0-10V, 4..20mA
IP protection IP68
High NEMA motor protection class F
Ambient T °C -20~55°C
Medium T °C -10~80°C
Operating angle 90°+/-5°
Flanges ISO521



Actuator Materials
Housing Epoxy coated aluminum alloy
Hand-wheel Allen wrench / hand-wheel
Open / close indicator Plastic

*optional AC24V, AC380V



Lightweight electric actuators for ICV series 76 with wafer and lug butterfly valves DN50-400
Modulating control/feedback signal (0-10V, 4..20mA)
On/off control signal with optional passive dry contact
Standard AC220V 50/60Hz (optional AC24V, AC380V 50/60Hz)

Selection guide

Air handling units and fresh air units (AHU and FAU) Chilled and cooling water from chillers Cooling towers District cooling systems Temperature range -10~ 130°C													
925/76				0005	0010	0016	0025	0050	0060	0100	0200		
On off actuator	Voltage	AC24V +10/-15%		05D2FGH	07D2FGH	07D2FGH	10D2FGH	10D2FGH	10D2FGH	12D2FGH			
		AC220V +10/-15%		05D0FGH	07D0FGH	07D0FGH	10D0FGH	10D0FGH	10D0FGH	12D0FGH	14D0FGH		
		AC380V / 3 phase		05D1FGH	07D1FGH	07D1FGH	10D1FGH	10D1FGH	10D1FGH	12D1FGH	14D1FGH		
	Current	Starting current		0.25A	0.58A	0.72A	0.86A	1.38A	1.38A	1.38A	1.38A		
Working current			0.25A	0.5A	0.68A	0.8A	1.2A	1.2A	1.2A	1.2A			
925/76		Control/feedback signal		0005	0010	0016	0025	0050	0060	0100	0200		
Modulating actuator		AC24V +10/-15%	0-10V 0-10V	0532FGH	0732FGH	0732FGH	1032FGH	1032FGH	1032FGH	1232FGH			
			4..20mA 4..20mA	0572FGH	0772FGH	0772FGH	1072FGH	1072FGH	1072FGH	1272FGH			
		AC220V +10/-15%	0-10V 0-10V	0530FGH	0730FGH	0730FGH	1030FGH	1030FGH	1030FGH	1230FGH	1430FGH		
			4..20mA 4..20mA	0570FGH	0770FGH	0770FGH	1070FGH	1070FGH	1070FGH	1270FGH	1470FGH		
		AC380V /3 phase		-	-	-	-	-	-	-	-	-	
General				90° (max +/-5°)									
Operating data		Nominal torque		50	100	160	250	500	600	1000	2000		
		Positioning time 90° at 50Hz (sec)		20/30	30	30	30	30	30	50	100		
		Angle of rotation		90° (max +/-5°)									
Power		Power consumption in/out (W)		30/10	80/23	80/23	300/90	300/90	300/90	300/90	300/90		
Environmental		Max. medium temperature		-10..80°C									
		Ambient temperature		-20...55°C									
		Humidity		0..95% r.h.									
Degree of protection		Housing upright to horizontal		IP68									
		Insulation class		F									
Standards		JB/T8219-1999		JB/T 8219-1999									
		CE		EN 60730-2-14									
	S76	DN	PN	KVS [m3/h]	ΔPS [kPa]	ΔPS [kPa]	ΔPS [kPa]	ΔPS [kPa]	ΔPS [kPa]	ΔPS [kPa]	ΔPS [kPa]	ΔPS [kPa]	ΔPS [kPa]
	76/72	76/71	50	16	91	1400							
	76/72	76/71	65	16	206	1400							
	76/72	76/71	80	16	436	1400							
	76/72	76/71	100	16	660		1400						
	76/72	76/71	125	16	1300		1400						
	76/72	76/71	150	16	2100			1400					
	76/72	76/71	200	16	4100				1400				
	76/72	76/71	250	16	6090					1400			
	76/72	76/71	300	16	9570						1400		
	76/72	76/71	350	16	12958							1400	
76/72	76/71	400	16	17244								1400	

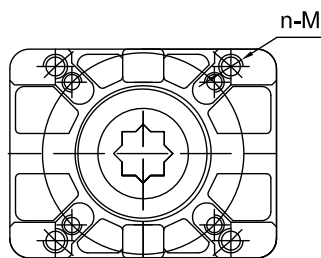
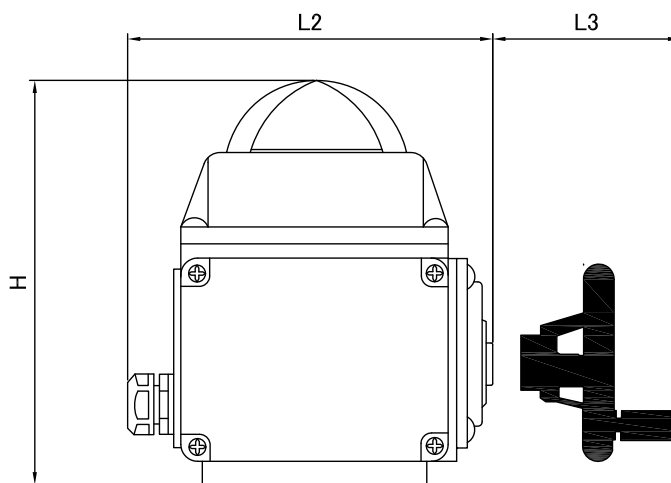
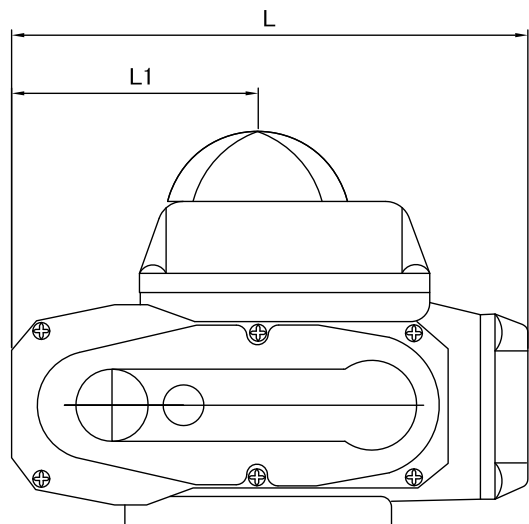
Optional features DEFGH

D - Actuator type 1 - On/off 2 - On/off passive dry contact 3 - 0-10V / 0-10V 7 - 4-20mA / 4-20mA	E - Voltage 0 - 220VAC 1 - 380VAC (on/off) 2 - 24VAC* 3 - 24VDC**	F - Optional features 0 - Hexagon Allen wrench 1 - Hand wheel	G - Optional features 0 - Standard 1 - Potentiometer	H - Optional features 0 - Standard 1 - Electrical heater
---	---	---	--	--

*50-1000NM
 **on/off 50-1000NM



Lightweight electric actuators for ICV series 76 with wafer and lug butterfly valves DN50-400
 Modulating control/feedback signal (0-10V, 4..20mA)
 On/off control signal with optional passive dry contact
 Standard AC220V 50/60Hz (optional AC24V, AC380V 50/60Hz)



Ref.no.	Torque N.M	Power W	Top flange mm	L mm	L1 mm	L2 mm	L3 mm	H mm	n-M mm	Weight Kgs
925-76-0005-BBDEFGHI	50	10	F05/07	155	86	101	98	141	4-M8	2.6
925-76-0010-BBDEFGHI	100	23	F07/07	208	96	120	98	150	4-M8	3.7
925-76-0016-BBDEFGHI	160	23	F07/10	208	96	120	98	150	4-M8	3.7
925-76-0025-BBDEFGHI	250	45	F10	256	123	153	98	174	4-M10	8
925-76-0050-BBDEFGHI	500	90	F10/12	256	123	153	98	174	4-M10	8
925-76-0060-BBDEFGHI	600	90	F10/12	256	123	153	98	174	4-M10	8
925-76-0100-BBDEFGHI	100	90	F12/14	280	128	156	98	186	4-M10	12
925-76-0200-BBDEFGHI	200	90	F12/14	280	128	156	98	186	4-M10	12

BB-Top flange
 D-Actuator type
 E-Voltage
 F-Optional features
 G-Optional features
 H-Optional features
 See page 2 for details
 Remark:
 1. The form of control signal and feedback signal shall be indicated when ordering.
 2. Valve torque must be *1.3 safety factor.

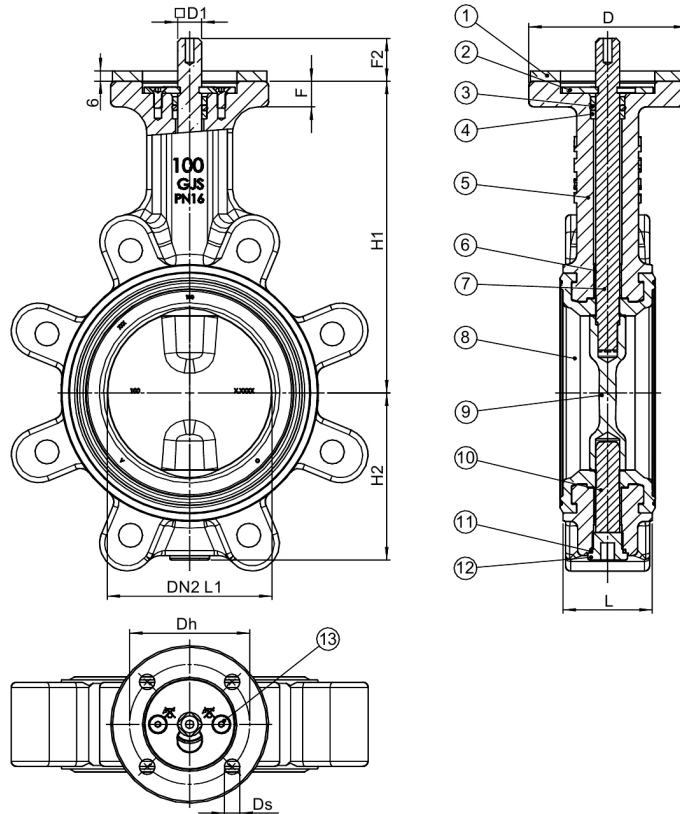


Lightweight electric actuators for ICV series 76 with wafer and lug butterfly valves DN50-400
 Modulating control/feedback signal (0-10V, 4..20mA)
 On/off control signal with optional passive dry contact
 Standard AC220V 50/60Hz (optional AC24V, AC380V 50/60Hz)

76/71 Lug type

Component list

- | | | | | |
|----------------------|------------|-----------------|----------------|-----------------------|
| 1. Dew point blocker | 4. Ring | 7. Drive shaft | 10. Stub shaft | 13. Countersunk screw |
| 2. Plate | 5. Body | 8. Loose lining | 11. O-ring | |
| 3. O-ring | 6. Bearing | 9. Disc | 12. Plug | |



Ref.no.	DN	DN2L1 mm	L mm	H1 mm	H2 mm	F mm	F2 mm	D mm	D1 mm	Dh mm	Ds mm	Touqre N.M	Weight Kgs
76-0050-71-83ZZ026905	50	48	43	125	65	12	18	67	9	50	7	13	3.3
76-0065-71-83ZZ026905	65	62	46	150	78	12	18	67	9	50	7	20	4.1
76-0080-71-83ZZ026905	80	76	46	157	85	12	18	67	9	50	7	28	5.4
76-0100-71-83ZZ026905	100	95	52	182	98	15	25	92	11	70	9	44	8.0
76-0125-71-83ZZ026905	125	120	56	201	114	15	25	92	14	70	9	76	11
76-0150-71-83ZZ026905	150	145	56	214	127	15	25	92	14	70	9	110	12
76-0200-71-83ZZ02690517*	200	195	60	245	158	18	46	92	17	70	9	210	19
76-0250-71-83ZZ02690516	250	245	68	283	194	20	30	130	22	102	11	315	32
76-0300-71-83ZZ02690516	300	295	78	308	219	20	30	130	22	102	11	440	45
76-0350-71-83ZZ026905	350	346	78	354	272	16	30	150	27	125	15	660	63
76-0400-71-83ZZ026905	400	396	102	383	301	20	38	175	36	140	19	881	99

ZZ-75 Disc:Ductile iron with Epoxy coated

ZZ-74 Disc:Stainless Steel AISI 316

*DN200 contains F07 Adapter F10 Connecting plate, with a thickness of 15mm

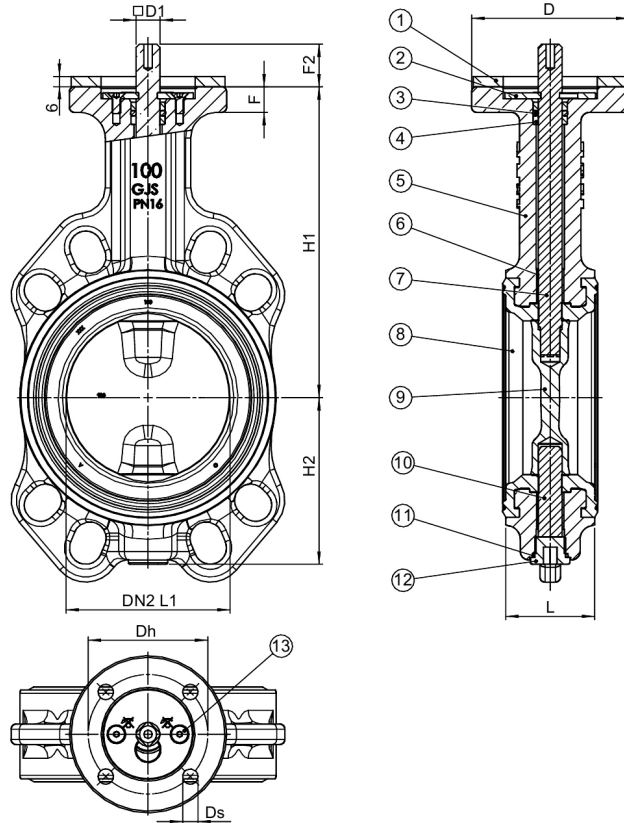


Lightweight electric actuators for ICV series 76 with wafer and lug butterfly valves DN50-400
Modulating control/feedback signal (0-10V, 4..20mA)
On/off control signal with optional passive dry contact
Standard AC220V 50/60Hz (optional AC24V, AC380V 50/60Hz)

76/72 Wafer type

Component list

- | | | | | |
|----------------------|------------|-----------------|----------------|-----------------------|
| 1. Dew point blocker | 4. Ring | 7. Drive shaft | 10. Stub shaft | 13. Countersunk screw |
| 2. Plate | 5. Body | 8. Loose lining | 11. O-ring | |
| 3. O-ring | 6. Bearing | 9. Disc | 12. Plug | |



Ref.no.	DN	DN2L1	L	H1	H2	F	F2	D	D1	Dh	Ds	Touqre	Weight
	mm	mm	mm	mm	mm	mm	mm	mm	mm	mm	mm	N.M	Kgs
76-0050-72-81ZZ026905	50	48	43	125	65	12	18	67	9	50	7	13	2.7
76-0065-72-81ZZ026905	65	62	46	150	78	12	18	67	9	50	7	20	3.4
76-0080-72-81ZZ026905	80	76	46	157	85	12	18	67	9	50	7	28	4.0
76-0100-72-81ZZ026905	100	95	52	182	98	15	25	92	11	70	9	44	6.0
76-0125-72-81ZZ026905	125	120	56	201	114	15	25	92	14	70	9	76	7.7
76-0150-72-81ZZ026905	150	145	56	214	127	15	25	92	14	70	9	110	9.0
76-0200-72-81ZZ02690517*	200	195	60	245	158	18	46	92	17	70	9	210	14
76-0250-72-81ZZ02690516	250	245	68	283	194	20	30	130	22	102	11	315	25
76-0300-72-81ZZ02690516	300	295	78	308	219	20	30	130	22	102	11	440	35
76-0350-72-81ZZ026905	350	346	78	354	272	16	30	150	27	125	15	660	45.56
76-0400-72-81ZZ026905	400	396	102	383	301	20	38	175	36	140	19	881	66

ZZ-75 Disc: Ductile iron with Epoxy coated

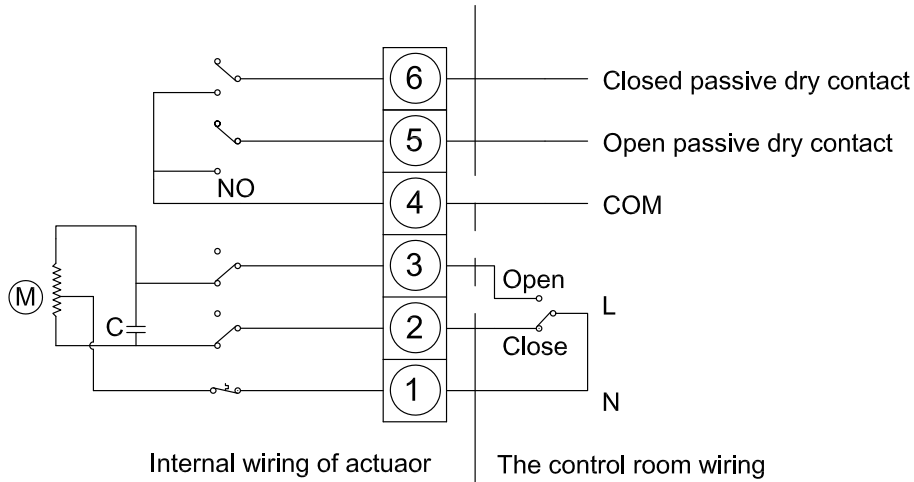
ZZ-74 Disc: Stainless Steel AISI 316

*DN200 contains F07 Adapter F10 Connecting plate, with a thickness of 15mm



Lightweight electric actuators for ICV series 76 with wafer and lug butterfly valves DN50-400
 Modulating control/feedback signal (0-10V, 4..20mA)
 On/off control signal with optional passive dry contact
 Standard AC220V 50/60Hz (optional AC24V, AC380V 50/60Hz)

On/off type with passive dry contact 220VAC



Modulating type 220VAC

