



**ICV 951 Flowmaster 3-in-1 PICV for terminal units in 0-90°C HVAC systems (fancoils and air handling units). Especially suitable for variable flow systems with frequently changing loads or DP. The 3-in-1 PICV set combines motorized control, dynamic differential pressure balancing and static balancing (max flow setting).
Flanges and drilling to BS EN 1092-2**

Use:

For water to max. 95°C

Tests:

Hydraulic test to BS EN 12266
Seat: According to each aperture closure pressure difference.
The allowable leakage rate: Max flow*0.05%
Body: 1.5 x PN

Marking:

Body: ICV Nameplate. DN, PN, and flow direction.
Actuator: ICV logo, Wiring diagram, Voltage value.

Materials

Body Cast iron GG25
Stem Stainless steel AISI 304
Diaphragm EPDM
Internals Brass

Actuating

Power supply 24VAC±10% 50/60HZ
Power cons 12 W
Control signal 0-10V/2-10V/0-20mA/4-20mA
Feedback signal 0-10V/2-10V
Actuating force 1000 N (DN40-80)
3000 N (DN100-125)
5000 N (DN150-200)
Running time 50HZ,105s/60HZ,90s(DN40-80)
50HZ,180s/60HZ,150s(DN100-125)
50HZ,240s/60HZ,175s(DN150-200)

Protection grade IP54
Ambient temp -10~50°C

LCD display feedback signal or max opening setting



DN40-125



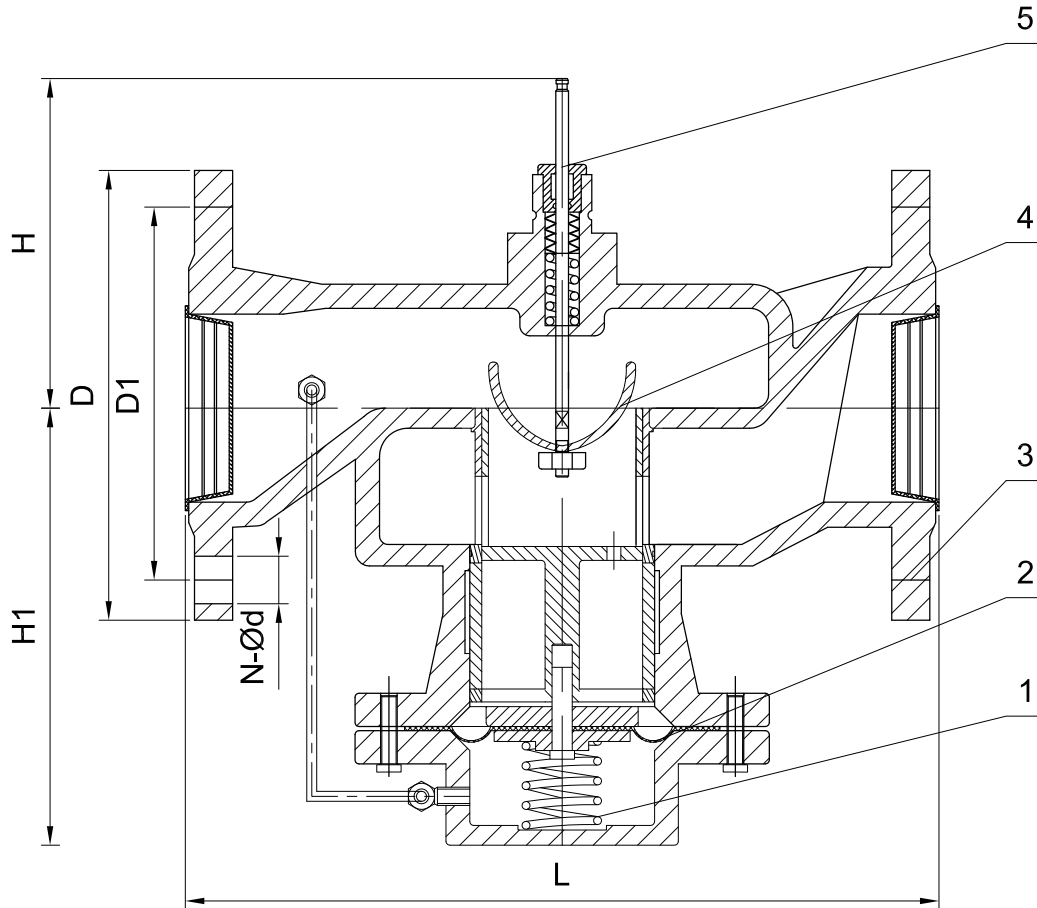
DN150-200



ICV 951 Flowmaster 3-in-1 PICV for terminal units in 0-90°C HVAC systems (fancoils and air handling units). Especially suitable for variable flow systems with frequently changing loads or DP. The 3-in-1 PICV set combines motorized control, dynamic differential pressure balancing and static balancing (max flow setting). Flanges and drilling to BS EN 1092-2

Component list

- 1. Spring
- 2. Diaphragm
- 3. Body
- 4. Cartridge
- 5. Stem



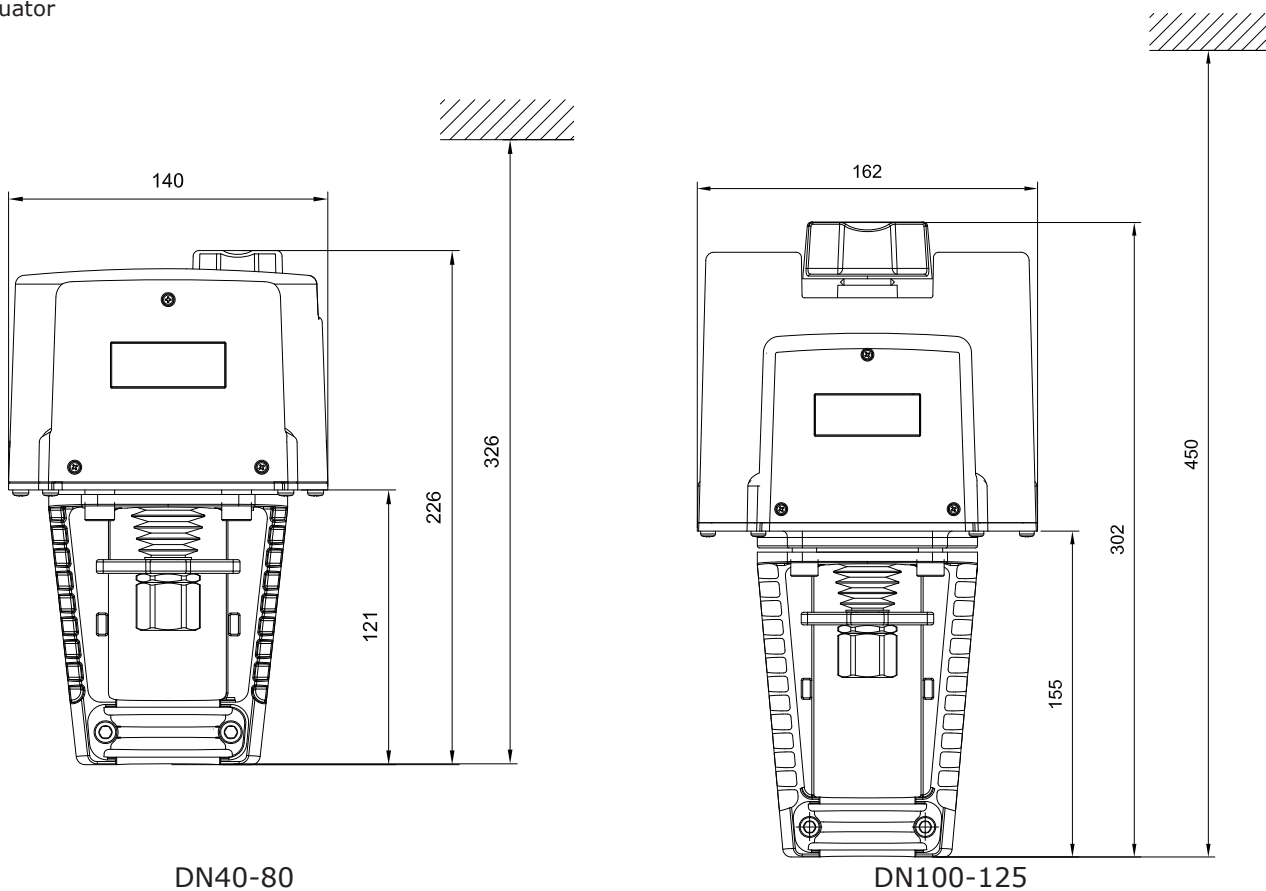
Ref.no.	DN	L mm	D mm	D1 mm	N-Ød	H mm	H1 mm	Flow rate* m ³ /h	DP range KPa	Closing pressure Kpa	Weight Kgs
9510040151	40	200	145	110	4-Φ18	150	140	1.0~7.7	30~400	500	12.2
9510050151	50	230	160	125	4-Φ18	166	164	2.0~12.1	30~400	400	16.6
9510065151	65	290	180	145	4-Φ18	178	204	3.0~20.4	30~400	350	23
9510080151	80	310	195	160	8-Φ18	182	219	5.0~40.0	30~400	200	28
9510100151	100	350	215	180	8-Φ18	207	241	10.0~45.3	30~400	400	45
9510125151	125	400	245	210	8-Φ18	218	276	15.0~70.7	30~400	200	62
9510150151	150	480	280	240	8-Φ23	234	337	20.0~101.8	30~400	150	86
9510200151	200	600	335	295	12-Φ23	259	403	50.0~360.0	30~400	150	153

* Flow tolerance allowed: ≤5%.



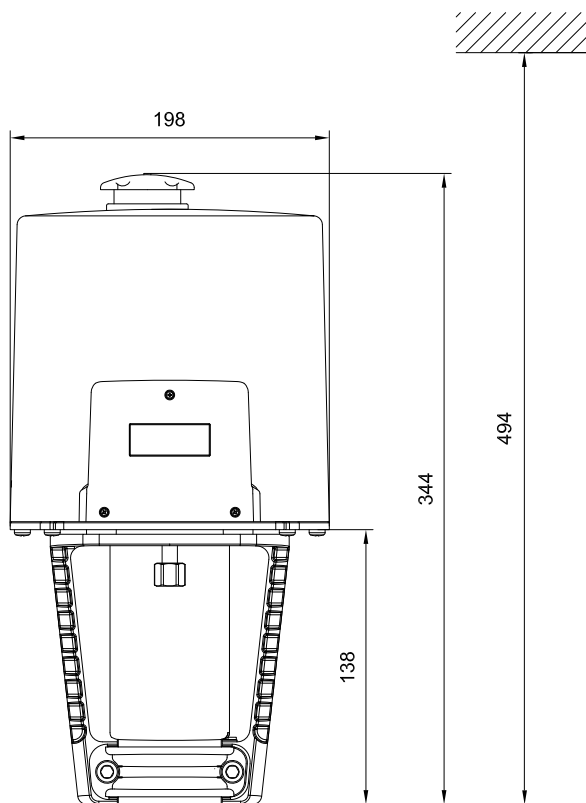
ICV 951 Flowmaster 3-in-1 PICV for terminal units in 0-90°C HVAC systems (fancoils and air handling units). Especially suitable for variable flow systems with frequently changing loads or DP. The 3-in-1 PICV set combines motorized control, dynamic differential pressure balancing and static balancing (max flow setting). Flanges and drilling to BS EN 1092-2

Actuator



DN40-80

DN100-125



DN150-200



ICV 951 Flowmaster 3-in-1 PICV for terminal units in 0-90°C HVAC systems (fancoils and air handling units). Especially suitable for variable flow systems with frequently changing loads or DP. The 3-in-1 PICV set combines motorized control, dynamic differential pressure balancing and static balancing (max flow setting). Flanges and drilling to BS EN 1092-2

Head loss chart

