



ICV TOTAL CONTROL INSIDE BUILDINGS



IC Valves (Nanjing) Co., Ltd.

Room 16G,
Blk A Changfa Center,
300 E Zhongshan Road
Nanjing, China

Tel.: +86 25 8320 0010
Fax.: +86 25 8320 5225
info@icvalves.com

www.icvalves.com
www.avkvalves.com

2019-09
Copyright©IC Valves (Nanjing) Co., Ltd



MEMBER OF THE **AVR** GROUP

**GENERAL VALVES
FOR BUILDING
SERVICES**



MEMBER OF THE **AVR** GROUP





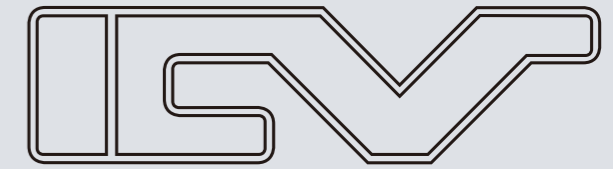
ICV[®] - a proud member of the AVK Group

ICV in the AVK Group

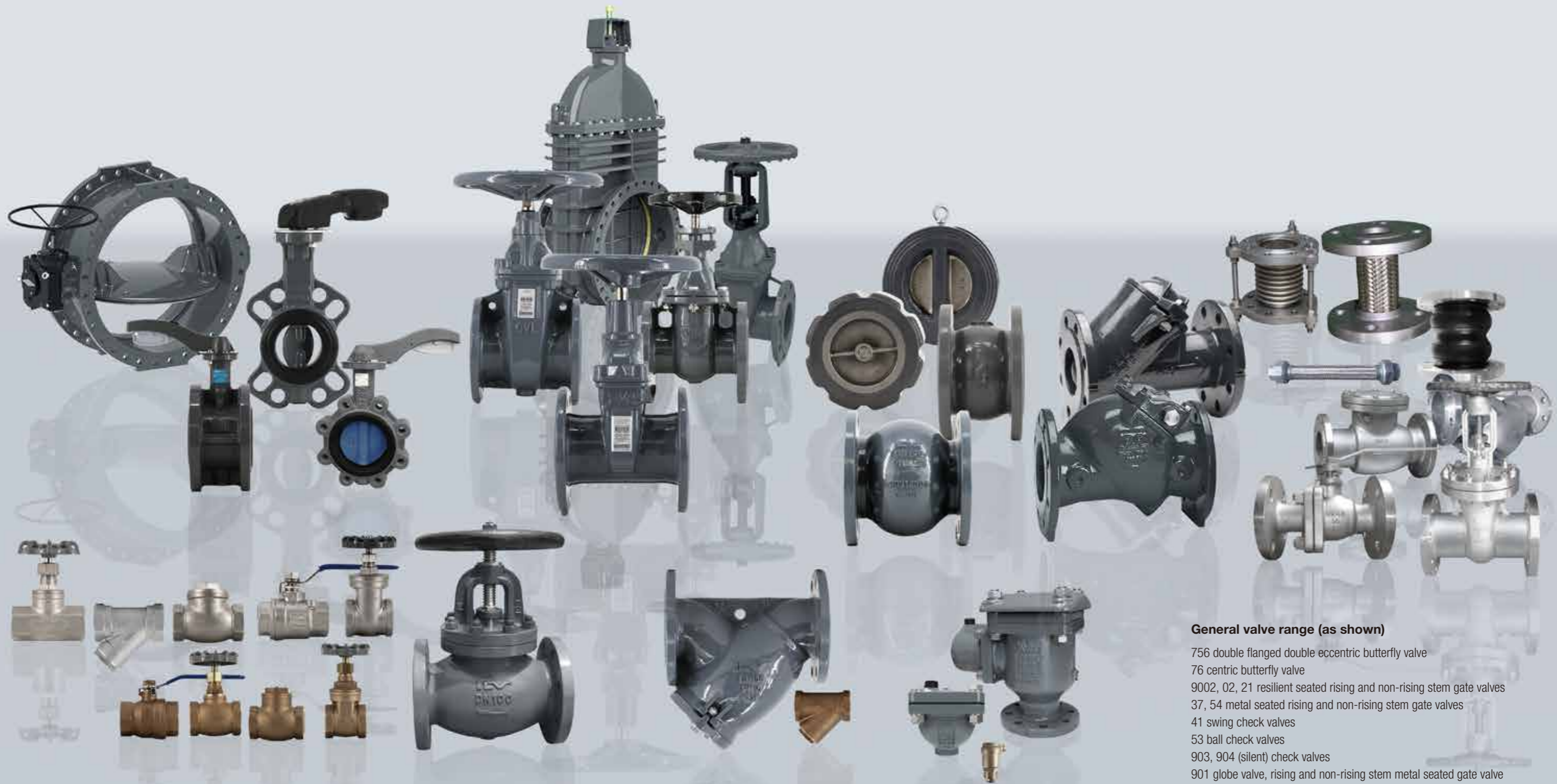
The AVK Group, a family business founded in 1941 and headquartered in Denmark, is one of the leading manufacturers of valves and fittings within the water, gas, waste water, industrial, HVAC and fire protection industries worldwide and has 85+ sales companies and 70+ factories globally within our core business. AVK Group owns it's own foundries and develops, machines, coats and produces in it's own valve factories. AVK Gummi produces high quality rubber and sealing used in AVK valves and in 3rd party machinery and medical equipment in other industries.

ICV – IC Valves (Nanjing) Co., Ltd. is the building service and HVAC brand of the AVK Group in Denmark and is a fully owned subsidiary. ICV offers general valves, motorized valves, and balancing valves, and hydraulic balancing valves for use in buildings and HVAC system...for dedicated solutions in commercial buildings, for district cooling and heating, and for datacentres and other constructions...to solve all standard valve requirements for HVAC, plumbing and hydraulic balancing, manual fire & safety valves.





Expect... **AVR**



General valve range (as shown)

- 756 double flanged double eccentric butterfly valve
- 76 centric butterfly valve
- 9002, 02, 21 resilient seated rising and non-rising stem gate valves
- 37, 54 metal seated rising and non-rising stem gate valves
- 41 swing check valves
- 53 ball check valves
- 903, 904 (silent) check valves
- 901 globe valve, rising and non-rising stem metal seated gate valve
- 910 strainer
- 906 threaded bronze valves
- 912, 851 air valve
- 907 threaded stainless steel valves
- Flanged stainless steel valves 910 strainer, 904 check valve, 907 ball valve, 901 gate valves
- 911 rubber and stainless steel flexible joints and expansion joints

BUTTERFLY VALVE CONCENTRIC LOOSE LINER RUBBER SEATED

BUTTERFLY VALVE DOUBLE ECCENTRIC DOUBLE FLANGE TYPE



Product series S76

- Wafer and lug type
- Ductile iron body
- Stainless steel stem
- EPDM Liner
- DI with fusion bonded epoxy coating disc
- Fusion bonded epoxy coating
- DN50-DN400
- PN10/PN16
- Flange connection
- C/W lever or gearbox

- Optional
Electric actuator
SS AISI 316 disc
High temp EPDM liner (EPL)



Product series S756

- Double flange type
- Ductile iron body
- Stainless steel stem
- EPDM O-ring
- Integral seat
- DI with fusion bonded epoxy coating disc
- Fusion bonded epoxy coating
- DN200-DN2200
- PN10/PN16/PN25
- Flange connection

- C/W gearbox

- Optional
Electric actuator
SS seat AISI 316, AISI 431

Features

- Designed for HVAC, supply drainage and drinking water systems
- Long neck for insulation
- Reinforced seating area at shaft. Shaft holes dimensioned to create compression around the shaft
- Integrated, profiled flange gasket
- Pinless and two stub shaft design
- PPOM bearings and an EPDM O-ring as backup sealing
- PTFE coated bearings at the top and bottom of the disc for low friction

- The rubber ensures minimum biofilm formation which prevents contamination of the drinking water
- The rubber is approved for drinking water applications



Low cost option for on/off use

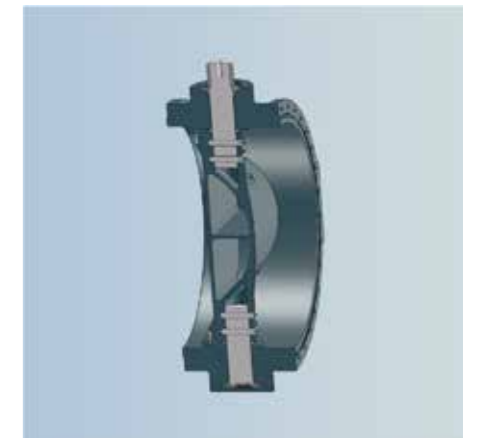


Tilted disc extends service life

Product series S756

- Designed for HVAC, P & D and drinking water systems
- Double eccentric principle
- Tilted disc gives low operating torques and reduces wear of the sealing rings
- Fixed design make sures no play between disc and stem
- Optimized disc sealing
- Double shaft sealing, replaceable under pressure
- Stainless steel seat ring available

- Flow-through disc (optional) is less sensitive to cavitation and gives higher Kv
- Approved for drinking water applications



GATE VALVE RESILIENT SEATED FULLY VULCANIZED WEDGE



Product series: S9002, S02, S21,S06,S15,S55

- Rising stem/Non rising stem
- Ductile iron body
- Stainless steel stem
- Vulcanized EPDM wedge
- Fusion bonded epoxy coating
- DN50-DN800
- PN10/PN16/PN25
- Flange connection
- C/W hand wheel, gearbox

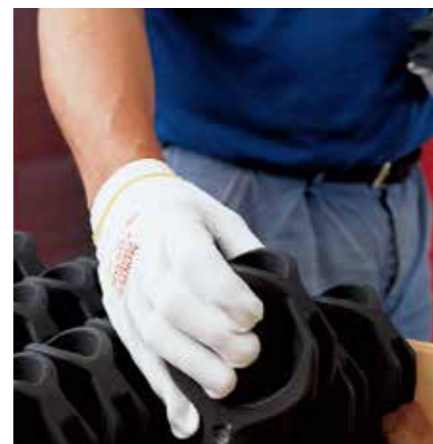
- Optional
- Electric actuator
 - Position indicator
 - Micro switch

Features

- Fixed, integral wedge nut sealed with rubber prevents corrosion
- Double bonding vulcanization process ensures maximum adhesion of the rubber
- Guide rails with vulcanized wedge shoes ensure low friction and smooth operation
- Large rubber volume in the sealing area provides optimum sealing
- Large plain and conical stem hole prevents stagnant water and accumulation of impurities
- The rubber features an outstanding ability to regain its original shape
- The rubber is resistant to water treatment

- chemicals
- The rubber ensures minimum biofilm formation which prevents contamination of the drinking water
 - The rubber is approved for drinking water applications

For more details, please refer to <Wedge is the heart> brochure, or contact an ICV sales representative.



GATE VALVE RESILIENT SEATED CAST BRONZE TRIM



Product series: S37, S54

- Rising stem/Non rising stem
- Ductile iron body
- Stainless steel stem
- DI disc with bronze seat and disc trim
- Fusion bonded epoxy coating
- DN50-DN1800
- PN10/PN16/PN25
- Flange connection
- C/W hand wheel, gearbox

- Optional
- Electric actuator
 - Position indicator
 - Bypass valve

Features

- Full bore design reduces the head loss
- Maintenance and replacement possible for stem seal under pressure
- The unique assembly of the valve body and bonnet ensures a durable tightness
- The body and wedge rings are a single piece cast bronze and mechanically fastened in position.
- The rings are machined to a smooth surface finish to ensure suitable sealing performance
- Integral wedge nut to reduce wear out
- The guides in the wedge ensure uniform closure regardless of high pressures

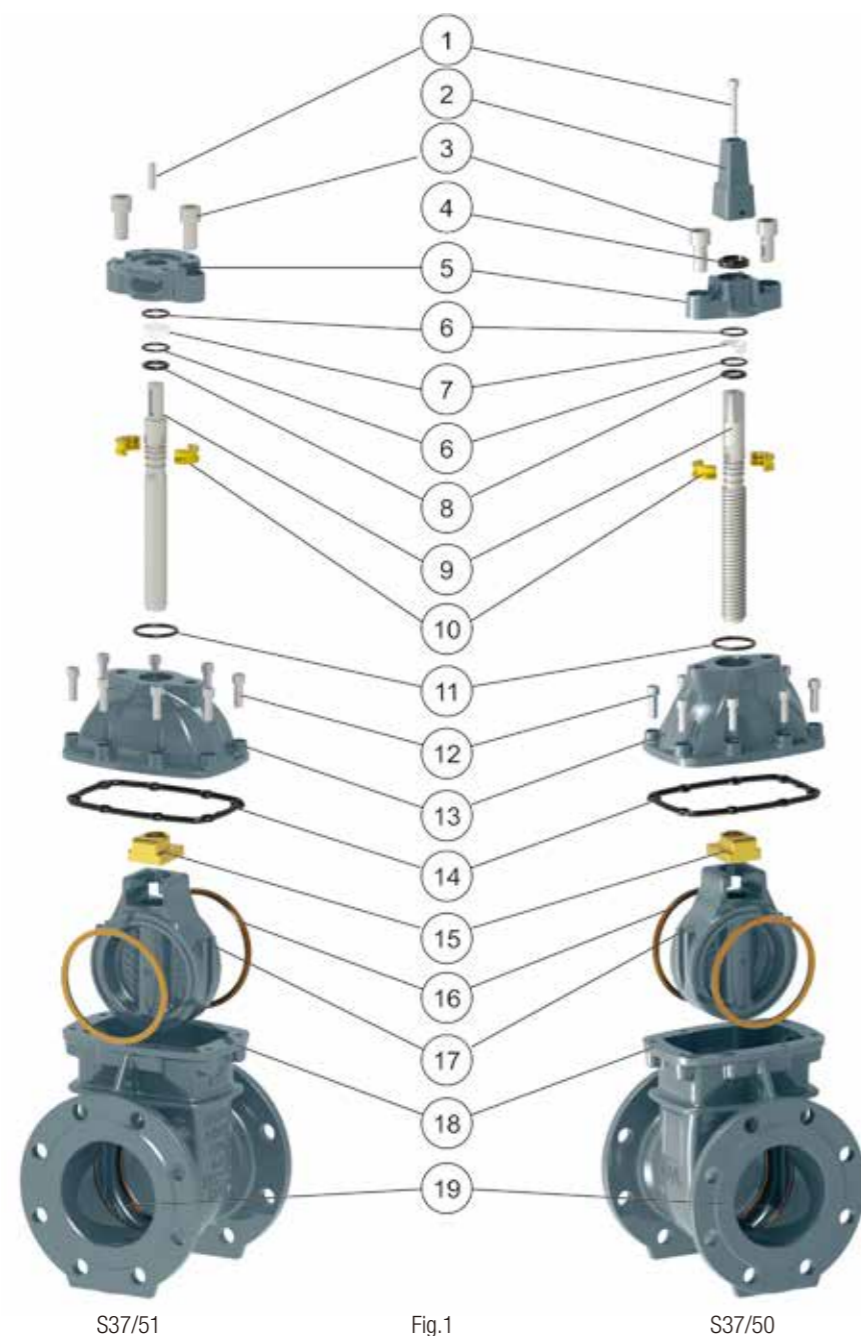
- The wedge nut is made of aluminium bronze with lubricating abilities providing optimum compatibility with the stainless steel stem
- Shearing effect provides self-cleaning function
- Press sealing guarantee the performance under high unbalanced pressure

For more details contact an ICV representative.



CAST BRONZE TRIM

**AVK METAL SEATED GATE VALVE
S37/50&S37/51 EXPLODED ASSEMBLY/PARTS LIST**



S37/51

Fig.1

S37/50

PARTS LIST

S37/51	S37/50	S37/51	S37/50	S37/51	S37/50
1. Key	Stem Cap Bolt	8. Lower Stem Seal O-ring	15. Wedge Nut		
2. /	Stem Cap	9. Stem	16. Face Ring		
3. Flange Bolts		10. Thrust Collar	17. Wedge		
4. /	Wiper Ring	11. O-ring	18. Body		
5. ISO Flange	Gland Flange	12. Bonnet Bolts	19. Seat Ring		
6. Upper Stem Seal O-ring		13. Bonnet			
7. Stem Seal Bushing		14. Bonnet Gasket			

METAL SEATED GATE VALVES OTHER



**Product series S901/01
Rising stem gate valve**

- Metal seated
- To BS EN1171
- Body/bonnet/disc: DI
- Stem: Stainless steel
- Trim: Bronze
- DN50 – DN400
- Flange to EN1092-2 PN16/25



**Product series S901/02
Non-rising stem gate valve**

- Metal seated
- To BS EN1171
- Body/bonnet/disc: DI
- Stem: Stainless steel
- Trim: Bronze
- DN50 – DN400
- Flange to EN1092-2 PN16 / PN25

GLOBE VALVE METAL SEATED CAST BRONZE TRIM



Product series S902

- Cast iron/ductile iron body
- Stainless steel stem
- Cast iron/ductile iron disc
- Bronze seat ring and disc trim
- Fusion bonded epoxy coating
- DN50-DN450
- PN16/PN25
- Flange connection
- C/W hand wheel

BUTTERFLY VALVE CONCENTRIC LUG/DOUBLE FLANGE TYPE



Product series S925/01 925/02

- Lug type/wafer type
- Ductile iron body
- Stainless steel stem
- EPDM Liner
- DI with fusion bonded epoxy coating disc
- Fusion bonded epoxy coating
- DN50-DN600
- Lug type: PN16/25
- Wafer type: PN16
- Flange connection
- C/W lever or gearbox



Product series 925/03

- Double flange concentric type
- Ductile iron body
- Stainless steel stem
- EPDM Liner
- DI with fusion bonded epoxy coating disc
- Fusion bonded epoxy coating
- DN50-DN1200
- PN16
- Flange connection
- C/W lever or gearbox

Optional
Electric actuator
Ductile iron with nylon disc



Optional
Electric actuator
Ductile iron with nylon disc

SILENT CHECK VALVE CENTRAL GUIDED FLANGE/WAFER TYPE



Product series S903/00 Globe silent check valve

- Flange type
- Ductile iron body
- Metal seated
- Fusion bonded epoxy coating
- Spring/stem: SS304
- DN65-400 PN16/25

· Optional SS AISI 316 spring



Product series S903/01

- Flange type
- Ductile iron body
- Alu bronze stem
- Alu bronze disc
- Alu bronze seat
- Fusion bonded epoxy coating
- DN50-DN600
- PN16/PN25

Optional
SS AISI 304, AISI 316 disc/stem/seat



Product series S903/02

- Wafer connection
- Ductile iron body
- Alu bronze stem
- Alu bronze disc
- Alu bronze seat
- Fusion bonded epoxy coating
- DN50-DN300
- PN16

Optional
SS AISI 304, AISI 316 disc/stem/seat



Product series S903/04 Globe silent check valve

- Flange type
- Ductile iron body
- Resilient seated
- Epoxy coating
- Spring/stem: SS420
- Seat: EPDM
- DN50-500 PN16 DN50-300 PN25

STRAINER STAINLESS STEEL FILTER Y TYPE



Product series S910/X0

- Flange connection
- Ductile iron body
- Stainless steel AISI 304 filter
- Galvanized steel drain plug
- NBR O-ring
- DN50-600
- PN16/PN25

Optional
Stainless steel AISI 316 filter
Stainless steel AISI 316 drain plug

CHECK VALVE ENERGY SAVING TYPE WAFER DUAL DOOR TYPE



Product series S903/03

- Energy saving silent check valve
- Ductile iron body
- Stainless steel stem
- DI with EPDM
- EPDM disc seat
- Fusion bonded epoxy coating
- DN50-DN600
- PN16/PN25



Product series S904/01

- Wafer connection
- Ductile iron body
- Stainless steel AISI 316 stem
- Stainless steel AISI 316 disc
- EPDM seat
- Fusion bonded epoxy coating
- DN50-DN600
- PN16

CHECK VALVE SWING CHECK VALVE BALL CHECK VALVE



SWING CHECK VALVE
Product series S41

- Flange connection
- Ductile iron body
- Stainless steel stem
- DI with fusion bonded epoxy coating disc
- EPDM seat DN50-300
- Alu bronze seat ring DN350-600
- Fusion bonded epoxy coating
- DN50-DN600
- PN16

Optional
Lever and weight
Protection guard



BALL CHECK VALVE
Product series S53

- Thread end/flange end
- Ductile iron body
- DN32-100 Alu ball coated with NBR
- DN125-600 Cast iron ball coated NBR
- NBR O-ring
- Fusion bonded epoxy coating
- DN32-DN600
- PN10

Optional
Solid PUR ball
Customized ball weight



Product series 904/03
Swing check valve

- To MSS SP-136
- FTF to ASME B16.10
- Body, bonnet, disc, DI ASTM A536
- Seat ring Brass ASTM B16
- Gasket NBR
- Bolt St st AISI304
- Epoxy coating 100um
- Flange to ANSI B16.42/16.1
- DN50 – DN600
- PN cl150

AIR VALVE AUTO AIR VALVE DUAL FUNCTION AIR VALVE



AUTO AIR VALVE
Product series S912

- hread connect
- CW617N brass body
- CW617N brass stem
- PTFE insert
- Stainless steel AISI 304 spring
- DN15-DN25
- PN16

Optional
Stainless steel AISI 304 filter



DUAL FUNCTION AIR VALVE
Product series S851

- Thread end/flange end
- Duction iron body
- Nylon orifice bracket
- Nylon cover
- ABS insert
- Stainless steel AISI 316 pin
- Stainless steel AISI 316 bolt, washer
- Fusion bonded epoxy coating
- DN25-DN200
- PN16/PN25

FLEXIBLE JOINT RUBBER TYPE THREAD/FLANGE END



Product series
S911/01, S911/02

- Single sphere/double sphere
- Flange connection
- Nylon tire cord reinforcement
- EPDM body
- Galvanized steel flange
- DN50-600
- PN16/PN25

Other rubber material on request



Product series S911/03

- Double sphere
- Thread connection
- Nylon tire cord reinforcement
- EPDM body
- Galvanized DI thread end
- DN15-50
- PN16

Other rubber material on request

FLEXIBLE JOINT STAINLESS STEEL THREAD/FLANGE END



Product series S911/04, S911/05

- Thread end
- Stainless steel AISI 304 tube
- Stainless steel AISI 304 braid*
- Galvanized steel thread
- DN15-50
- PN16/PN25

Optional
Stainless steel AISI 316
tube/braid/thread end
Female/male thread end

* No braid for DN15-20 for FCU use



Product series S911/06

- Flange end
- Stainless steel AISI 304 tube
- Stainless steel AISI 304 braid
- Galvanized steel flange
- DN32-800
- PN16/PN25

Optional
Stainless steel AISI 316 tube/braid

EXPANSION JOINT STAINLESS STEEL FLANGE END



Product series S911/08

- Flange end
- Stainless steel AISI 304 tube
- Galvanized steel tie rod
- Galvanized steel flange
- DN32-1200
- PN16/PN25

STAINLESS STEEL VALVE BSPT THREAD END



Stainless steel gate valve
Product series S907/01

- Thread to BSPT
- Stainless steel AISI 304 body
- Stainless steel AISI 304 stem
- Stainless steel AISI 304 disc
- Stainless steel AISI 304 seat
- PTFE packing
- DN15-50
- PN16

Optional
Stainless steel AISI 316



Stainless steel globe
Product series S907/02

- Thread to BSPT
- Stainless steel AISI 304 body
- Stainless steel AISI 304 stem
- Stainless steel AISI 304 disc
- Stainless steel AISI 304 seat
- PTFE packing
- DN15-50
- PN16

Optional
Stainless steel AISI 316



Product series S901/03
Rising stem gate valve

- Flange type
- Stainless steel
- Body/bonnet/stem/wedge SS304 or SS316
- CI handwheel
- FTF GB12221
- DN50 – DN400
- PN16/PN25



Stainless steel check valve
Product series S907/03

- Thread to BSPT
- Stainless steel AISI 304 body
- Stainless steel AISI 304 pin
- Stainless steel AISI 304 disc
- Stainless steel AISI 304 seat
- PTFE gasket
- DN15-50
- PN16

Optional
Stainless steel AISI 316



Stainless steel ball valve
Product series S907/04

- Thread to BSPT
- Stainless steel AISI 304 body
- Stainless steel AISI 304 stem
- Stainless steel AISI 304 ball
- PTFE seat
- DN15-50
- PN16/PN25

Optional
Stainless steel AISI 316



Product series S904/02
Swing check valve

- Flange type
- Stainless steel
- Body/disc/shaft SS304 or SS316
- Flange to EN1092
- DN50-DN300
- PN16/PN25



Product series S907/08
Stainless steel ball valve

- Flange type
- Stainless steel AISI 304 or 316
- PTFE seat
- Carbon steel lever
- DN15-DN250
- PN16/PN25



Stainless steel strainer
Product series 910/06

- Thread to BSPT
- Stainless steel AISI 304 body
- Stainless steel AISI 304 pin
- Stainless steel AISI 304 disc
- Stainless steel AISI 304 seat
- PTFE gasket
- DN15-50
- PN16

Optional
Stainless steel AISI 316



Product series S910/05
Stainless steel strainer

- Stainless steel AISI 304 or 316
- Flange type
- Flange to EN1092
- DN50-DN300
- PN16/PN25

STAINLESS STEEL VALVES FLANGED

BRONZE VALVE BS21 THREAD END CC491K BRONZE



Bronze gate valve
Product series S906/02

- Thread to BSPT
- Bronze CC491K body
- DZR brass CW602N stem
- Bronze CC491K disc
- Bronze CC491K seat
- PTFE packing
- DN15-50
- PN20/PN25



Bronze globe valve
Product series S906/04

- Thread to BSPT
- Bronze CC491K body
- DZR brass CW602N stem
- DN15-25 DZR brass CW602N disc
- DN32-50 bronze CC491K disc
- Bronze CC491K seat
- PTFE packing
- DN15-50
- PN16/PN20



Bronze check valve
Product series S906/06

- Thread to BSPT
- Bronze CC491K body
- DZR brass CW602N disc
- Bronze CC491K seat
- PTFE gasket
- DN15-50
- PN20



Bronze ball valve
Product series S906/08

- Thread to BSPT
- Bronze CC491K body
- DZR brass CW602N stem
- Chrome plated brass CW617N ball
- PTFE seat
- DN15-50
- PN20/PN25



Product series S910/07

- Thread to BS21
- Bronze CC491K body
- Stainless steel AISI 304 filter
- Bronze CC491K cap
- PTFE gasket
- DN15-50
- PN20



CHENGDU IFS, THE WHARF GROUP HK

Chengdu IFS, modeled on Harbour City in Hong Kong. This unparalleled location attracts a large concentration of mainstream consumers to thriving businesses and can be aptly dubbed a combination of Hong Kong's Central CBD, Causeway Bay and Tsim Sha Tsui. With a total development area of 760,000 square metres, the development comprises a mega shopping mall, two premium grade A office towers, a luxurious residential tower and a luxury international hotel.

ICV has provided the project with one-stop shop solution for building HVAC, P & D systems including gate, globe, check, butterfly valves etc.

For more details, please contact us or visit www.icvalves.com.